

**Agilent 6674A
Component Level
Information**

Agilent 6674A

System Power Supply

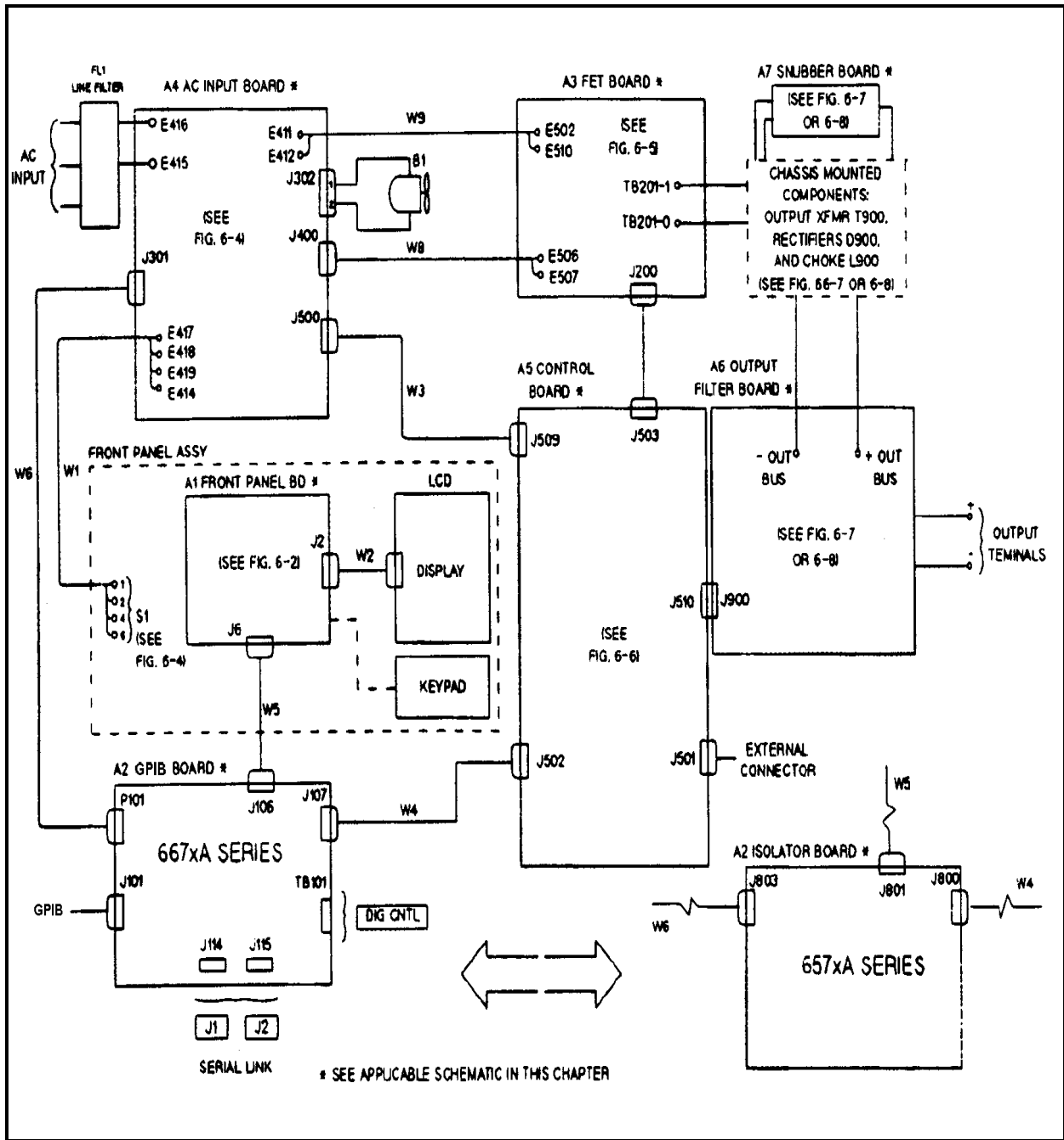
Component Level Information

Information in this packet applies to the following assemblies:

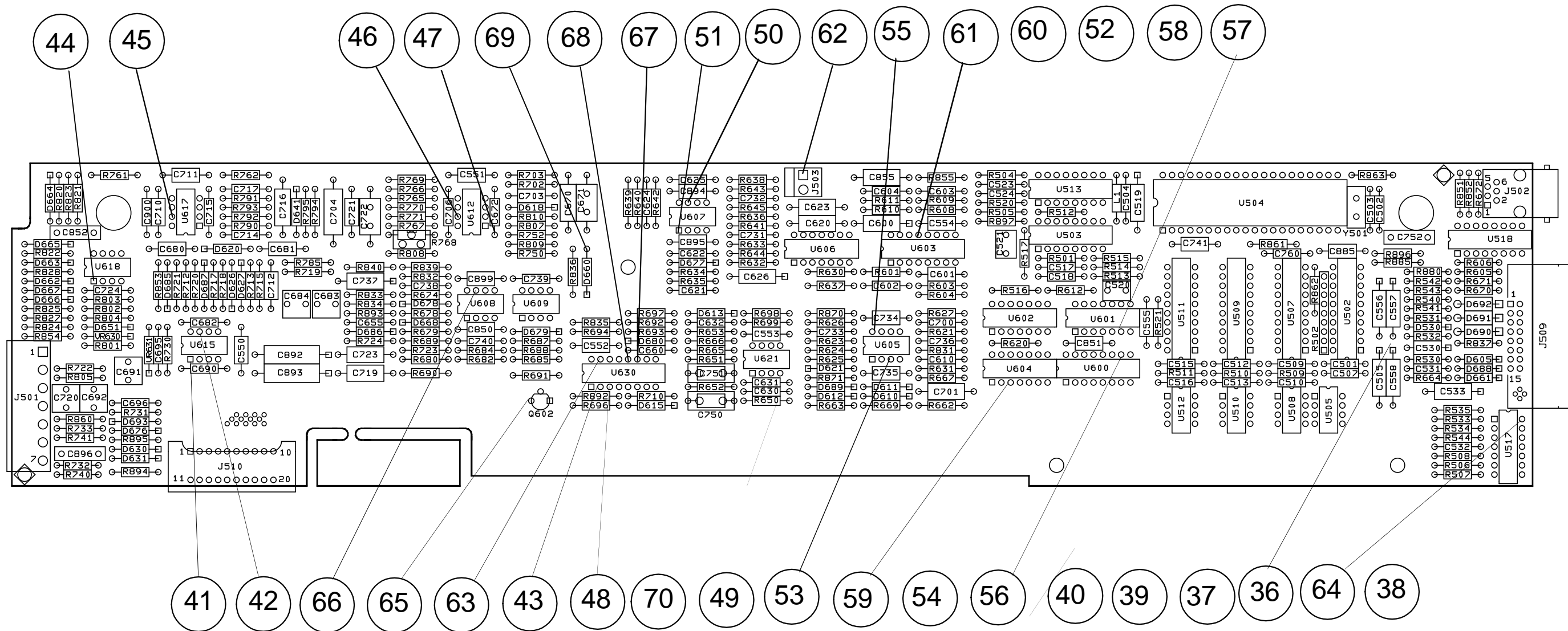
- 1. 06674-60020 Control Board Assembly**
- 2. 06674-60030 Output Filter Board and Snubber Board Assembly**
- 3. 5060-3336 FET Board Assembly**
- 4. 5060-3366 AC Input Board Assembly**
- 5. 5060-3399 GPIB Board Assembly**
- 6. 5063-3407 Front Panel/Keypad Board Assembly**

The following is included in this packet:

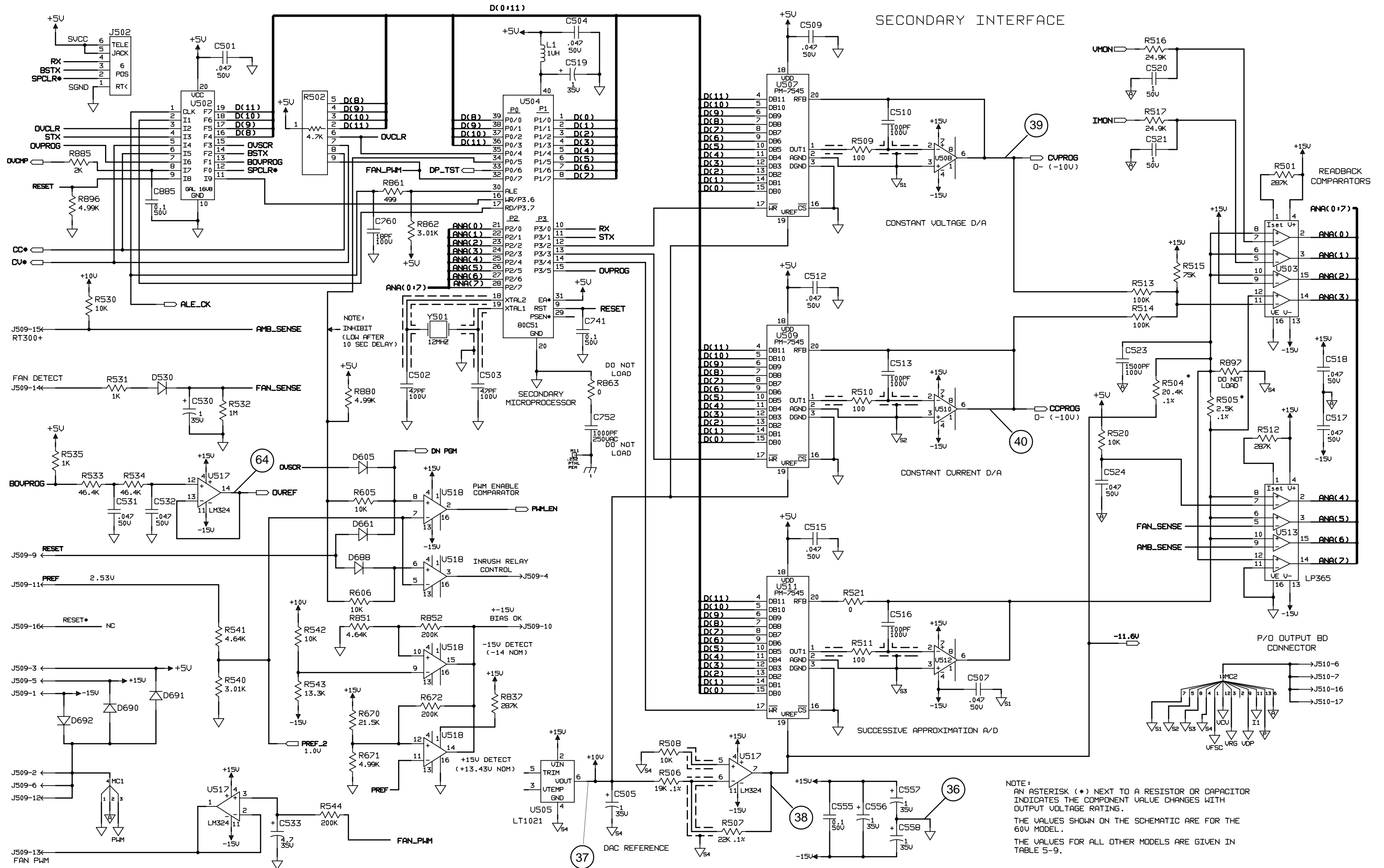
- 1. Component Locators**
- 2. Schematics**
- 3. Parts lists with Agilent and manufacturer's part numbers**



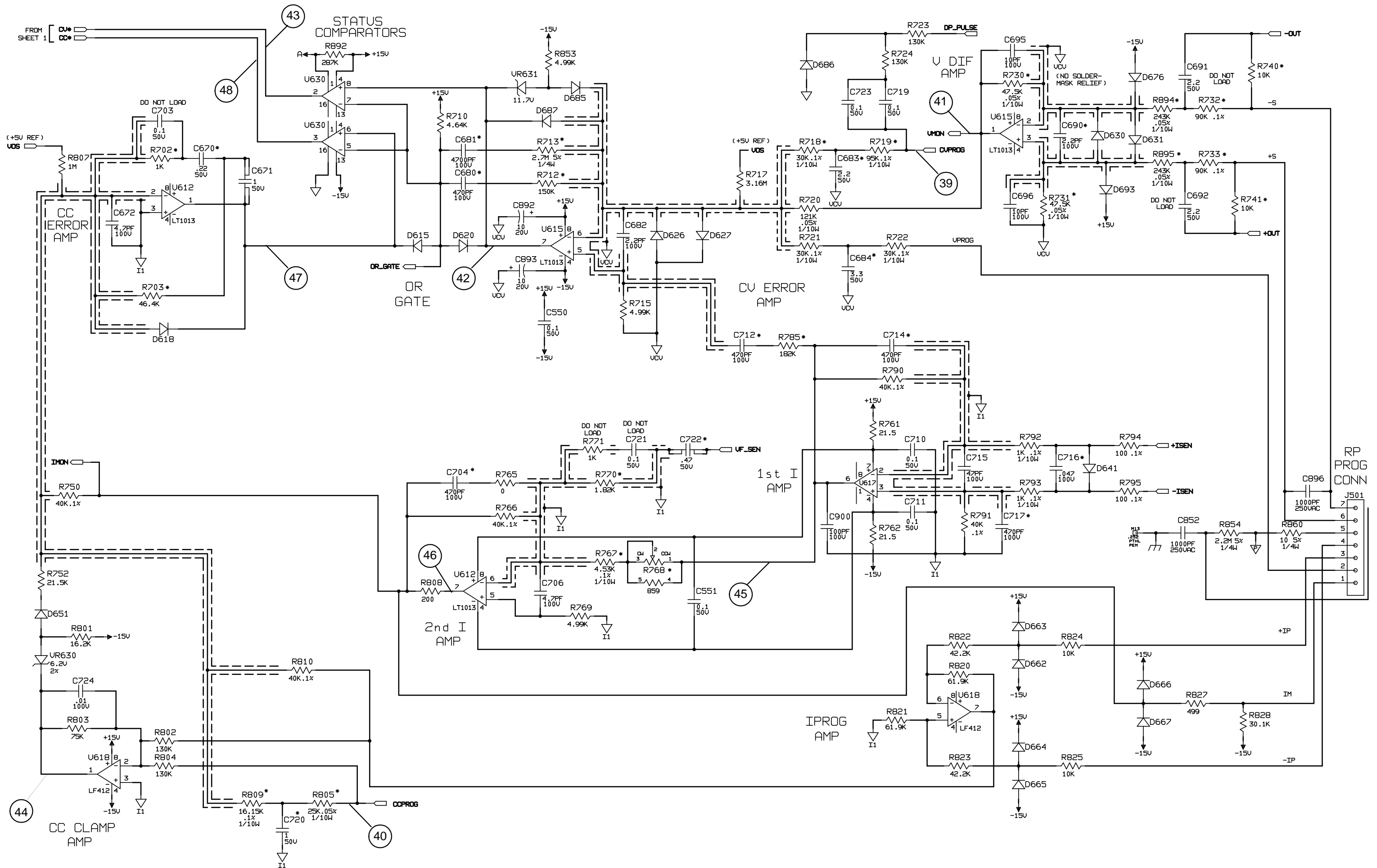
Circuit Board Cabling Diagram

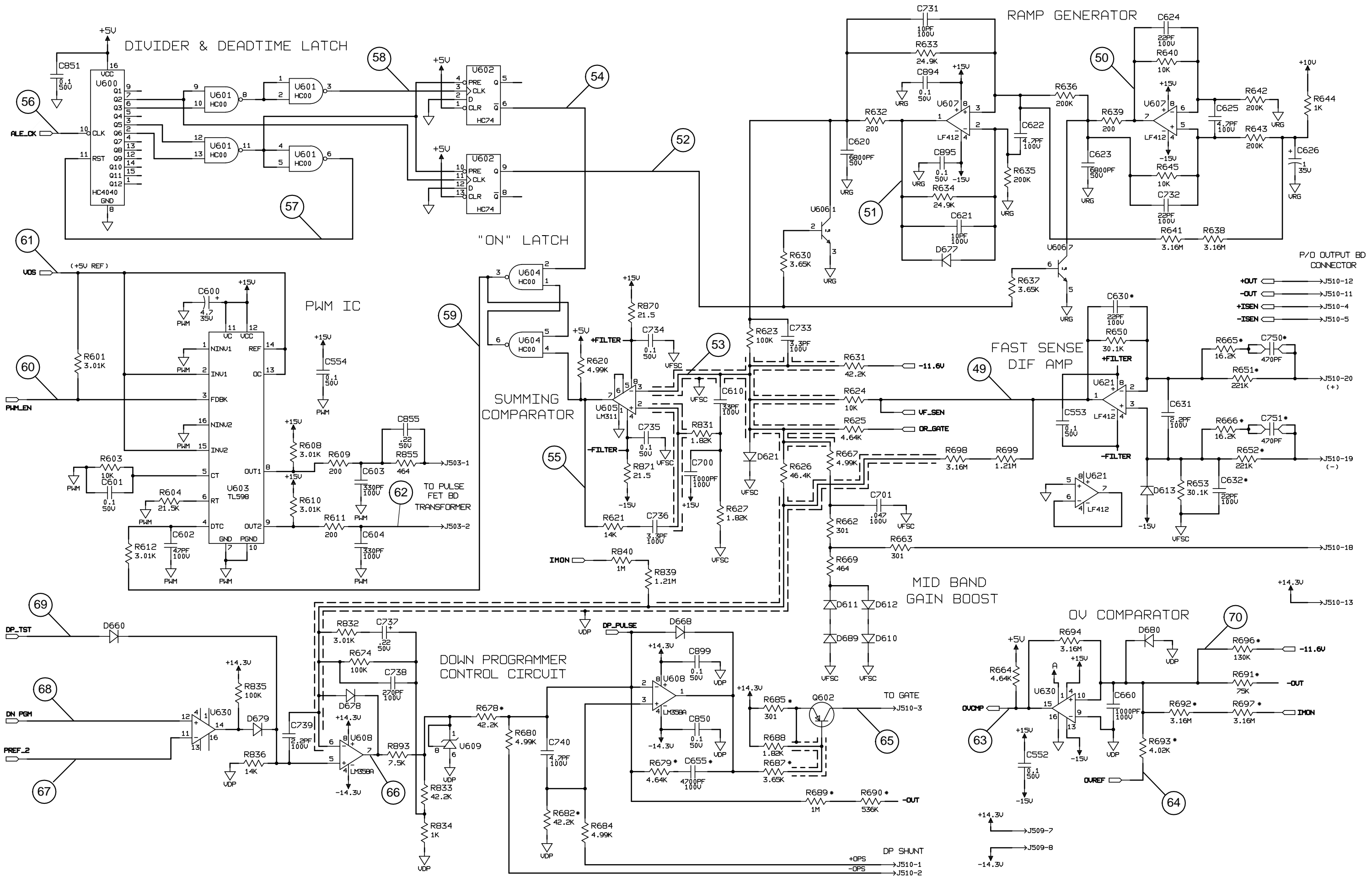


A5 Control Board Assembly Diagram and Test Point Locations



NOTE:
 AN ASTERISK (*) NEXT TO A RESISTOR OR CAPACITOR INDICATES THE COMPONENT VALUE CHANGES WITH OUTPUT VOLTAGE RATING.
 THE VALUES SHOWN ON THE SCHEMATIC ARE FOR THE 60V MODEL.
 THE VALUES FOR ALL OTHER MODELS ARE GIVEN IN TABLE 5-9.





06674-60020 Control Board Assembly Parts List

Reference Designator	QTY	Agilent P/N	Description	MPN	Manufacturer
C501, 504, 507, 509, 512, 515, 517, C518, 524, 531, 532	11	0160-5422	CAP-FXD 0.047uF +-20pct 50 V CER X7R	C420C473M5R5CA DA13X7R1H473M SA205C473MAAH	KEMET ELECTRONICS TDK AVX
C502, 503, 602, 715	4	0160-4805	CAP-FXD 47pF +-5pct 100 V CER C0G	C410C470J1G5CA SA102A470JAAH SA102A470JAAH	KEMET ELECTRONICS AVX KYOCERA
C505, 519, 530, 556-558, 626	7	0180-4129	CAP-FXD 1uF +-10pct 35 V TA	TARR105K035 T322B105K035AS	AVX KEMET ELECTRONICS
C510, 513, 516, 900	4	0160-4801	CAP-FXD 100pF +-5pct 100 V CER C0G	C410C101J1G5CA SA102A101JAAH SA102A101JAAH	KEMET ELECTRONICS AVX KYOCERA
C520, 521, 671, 720	4	0160-5469	CAP-FXD 1uF +-10PCT 50 V POLYE-MET	MKS 2 1.0/10/50 PCM5 TR MMK5105K50J02TR18	WIMA KEMET
C523	1	0160-4846	CAP-FXD 1500pF +-5pct 100 V CER C0G	C420C152J1G5CA DA13C0G2A152J SA201A152JAAH SA201A152JAAH	KEMET ELECTRONICS TDK AVX KYOCERA
C533, 600	2	0180-4131	CAP-FXD 4.7uF +-10pct 35 V TA	TARS475K035 T322C475K035AS	AVX KEMET ELECTRONICS
C550-555, 601, 710, 711, 719, 723, C741, 734, 735, 850, 851, 885, 894, C895, 899	20	0160-4835	CAP-FXD 0.1uF +-10pct 50 V CER X7R	C420C104K5R5CA SA105C104KAAH SA105C104KAAH	KEMET ELECTRONICS AVX KYOCERA
C603, 604	2	0160-4810	CAP-FXD 330pF +-5pct 100 V CER C0G	C410C331J1G5CA SA101A331JAAH SA101A331JAAH	KEMET ELECTRONICS AVX KYOCERA
C610	1	0160-4807	CAP-FXD 33pF +-5pct 100 V CER C0G	C410C330J1G5CA SA102A330JAAH SA102A330JAAH	KEMET ELECTRONICS AVX KYOCERA
C620, 623	2	0160-4904	CAP-FXD 6800pF +-5pct 100 V CER C0G	C440C682J5G5CA SA401A682JAAH SA401A682JAAH	KEMET ELECTRONICS AVX KYOCERA

06674-60020 Control Board Assembly Parts List

Reference Designator	QTY	Agilent P/N	Description	MPN	Manufacturer
C621, 695, 696, 731	4	0160-4791	CAP-FXD 10pF +-5PCT 100V CER C0G	C410C100J1G5CA SA102A100JAA SA102A100JAA	KEMET ELECTRONICS AVX KYOCERA
C622, 625, 672, 706, 740	5	0160-4795	CAP-FXD 4.7pF +-10.64pct 100 V CER C0G	C410C479D1G5CA SA102A4R7DAAH SA102A4R7DAAH	KEMET ELECTRONICS AVX KYOCERA
C624, 630, 632, 732	4	0160-4787	CAP-FXD 22pF +-5pct 100 V CER C0G	C410C220J1G5CA SA101A220JAA SA101A220JAA	KEMET ELECTRONICS AVX KYOCERA
C631, 682, 690, 739	4	0160-4799	CAP-FXD 2.2pF 100V CER C0G	C114G229C1G5CA MA101A2R2CAAH MA101A2R2CAAH	KEMET ELECTRONICS AVX KYOCERA
C655, 681	2	0160-4831	CAP-FXD 4700pF +-10pct 100 V CER X7R	C410C472K1R5CA SA101C472KAAH SA101C472KAAH	KEMET ELECTRONICS AVX KYOCERA
C660, 700	2	0160-4822	CAP-FXD 1000pF +-5pct 100 V CER C0G	C420C102J1G5CA SA201A102JAAH SA201A102JAAH	KEMET ELECTRONICS AVX KYOCERA
C670, 737, 855	3	0160-5098	CAP-FXD 0.22uF +-10pct 50 V CER X7R	C440C224K5R5CA SA405C224KAAH SA405C224KAAH	KEMET ELECTRONICS AVX KYOCERA
C680, 704, 712, 714, 717, 750, 751	7	0160-4808	CAP-FXD 470pF +-5pct 100 V CER C0G	C410C471J1G5CA SA101A471JAAH SA101A471JAAH	KEMET ELECTRONICS AVX KYOCERA
C684	1	0160-7308	CAP-FXD 3.3uF +-10pct 50 V POLYE-MET	MKS2-3.3UF/50V/10% MMK5335K50J05L16.5TR18	WIMA KEMET
C691, 692	2	0160-5578	CAP-FXD 0.022uF +-10pct 63 V POLYE-MET	MKS2 0.022/63. MMK5223K63L16.5TR18	WIMA KEMET
C701, 716	2	0160-4834	CAP-FXD 0.047uF +-10pct 100 V CER X7R	C430C473K1R5CA DA13X7R2A473K SA301C473KAAH SA301C473KAAH	KEMET ELECTRONICS TDK AVX KYOCERA
C722	1	0160-5468	CAP-FXD 0.47uF +-10pct 50 V POLYE-MET	MMK5474K50J01L6	KEMET

06674-60020 Control Board Assembly Parts List

Reference Designator	QTY	Agilent P/N	Description	MPN	Manufacturer
C724	1	0160-4832	CAP-FXD 0.01uF +-10pct 100 V CER X7R	C410C103K1R5CA SA101C103KAAH SA101C103KAAH	KEMET ELECTRONICS AVX KYOCERA
C733, 736	2	0160-4797	CAP-FXD 3.3pF +-7.58pct 100 V CER C0G	MA101A3R3CAA MA101A3R3CAA	KYOCERA AVX
C738	1	0160-4811	CAP-FXD 270pF +-5pct 100 V CER C0G	C410C271J1G5CA SA101A271JAAH SA101A271JAAH	KEMET ELECTRONICS KYOCERA AVX
C760	1	0160-4788	CAP-FXD 18pF +-5pct 100 V CER C0G	C410C180J1G5CA SA101A180JAA SA101A180JAA	KEMET ELECTRONICS AVX KYOCERA
C852, 896	2	0160-4183	CAP-FXD 1000pF +-20pct 250 V PPR-MET	PME271Y410MR30	KEMET
C892, 893	2	0180-4136	CAP-FXD 10uF +-10pct 20 V TA	TARS106K020 T322C106K020AS	AVX KEMET ELECTRONICS
D530, 605, 610-613, 615, 620, 621, D626, 627, 630, 631, 641, 660, 661, D666- 668, 677, 679, 679, 680, 686, D688, 689	25	1901-1098	DIODE-SWITCHING 1N4150 50V 200MA 4NS	1N4150 1N4150	FAIRCHILD SEMICONDUCTOR ROHM
D618, 651, 662-665, 676, 678, 685, D687, 693	11	1901-0880	DIODE-GEN PRP 200MA DO-35	FDH300	FAIRCHILD SEMICONDUCTOR
D690-692	3	1901-0731	DIODE-PWR RECT 400V 1A	1N4004G 1901-0731 GP10G044	ON SEMICONDUCTOR TEMIC TELEFUNKEN MICROELECTRON VISHAY
J501	1	1252-3693	CONN-POST TYPE 5.0-PIN-SPCG-MTG-END	ELFH07110 MSTBA1.5/7G 1758720 871907	PCD PHOENIX CONTACT & CO AXSYS TECHNOLOGIES
J502	1	1251-7330	MODULAR PHONE RCPT RIGHT ANGLE PC MOUNT	5520250-3 95009-2661	TYCO ELECTRONICS AMP MOLEX
J503, POLARITY	1	1252-0055	CONN-POST TYPE .156-PIN-SPCG-MTG-END	26-60-4020	MOLEX
J509	1	1252-1992	CONN-POST TYPE .100-PIN-SPCG-MTG-END	N3408-5302RB 66429-061LF	3M FCI FRAMATOME BERG
J510, POLARITY	1	1251-8666	CONN-POST TYPE .100-PIN-SPCG-MTG-END	5-534204-9	TYCO ELECTRONICS AMP

06674-60020 Control Board Assembly Parts List

Reference Designator	QTY	Agilent P/N	Description	MPN	Manufacturer
L001	1	9140-0158	INDUCTOR RF-CH-MLD 1uH +-10pct	1025-20 10M101K IM-2 1UH 10%	AMERICAN PRECISION INDUSTRIES GOWANDA ELECTRONICS VISHAY
Q602, POLARITY	1	1853-0510	TRANSISTOR PNP SI TO-92 PD 625MW FT 200MH	CEN1122	CENTRAL SEMICONDUCTOR
R501, 512, 837, 892	4	0698-3456	RESISTOR 287K +-1pct .125W TF TC=0+-100	5053HD287K0F CMF-552873FT-1 NK4H.125W1%+/- 100PPM2873	VISHAY BC COMPONENTS VISHAY E-SIL COMPONENTS
R502, POLARITY	1	1810-0305	NET-RES 8 4.7K OHM 9-PIN	908-472G CSC09A01-472K	EPITEK ELECT VISHAY
R504	1	0698-6983	RESISTOR 20.4K +-0.1pct .125W TF TC=0+-25	B0207C20K40B CMF-552042BT-9	VISHAY BC COMPONENTS VISHAY
R505	1	0698-6631	RES-FXD 2.5K +-0.1PCT 0.125W TC 0+-25 0207	CMF-552501BT-9 MBB0207-25 0.1%__2.5K	VISHAY VISHAY BC COMPONENTS
R506	1	0699-1212	RESISTOR 19K +-0.1pct .125W TF TC=0+-25	B0207E19K00B CMF-551902BT-9	VISHAY BC COMPONENTS VISHAY
R507	1	0698-6392	RESISTOR 22K +-0.1PCT .125W TF TC=0+-25	B0207E22K00B CMF-552202BT-9	VISHAY BC COMPONENTS VISHAY
R508, 520, 530, 542, 603, 605, 606, R624, 640, 645, 740, 741, 824, 825	14	0757-0442	RESISTOR 10K +-1pct .125W TF TC=0+-100	5053HD10K00F CMF-551002FT-1 NK4H.125W1%+/- 100PPM1002	VISHAY BC COMPONENTS VISHAY E-SIL COMPONENTS
R509-511	3	0757-0401	RESISTOR 100 +-1pct .125W TF TC=0+-100	5053HD100R0F CMF-551000FT-1	VISHAY BC COMPONENTS VISHAY
R513, 514, 623, 674, 835	5	0757-0465	RESISTOR 100K +-1pct .125W TF TC=0+-100	5053HD100K0F CMF-551003FT-1 NK4H.125W1%+/- 100PPM1003	VISHAY BC COMPONENTS VISHAY E-SIL COMPONENTS
R515, 691, 803	3	0757-0462	RESISTOR 75K +-1pct .125W TF TC=0+-100	5053HD75K00F CMF-557502FT-1 NK4H.125W1%+/- 100PPM7502	VISHAY BC COMPONENTS VISHAY E-SIL COMPONENTS

06674-60020 Control Board Assembly Parts List

Reference Designator	QTY	Agilent P/N	Description	MPN	Manufacturer
R516, 517, 633, 634	4	0698-4486	RESISTOR 24.9K +-1pct .125W TF TC=0+-100	5053HD24K90F CMF-552492FT-1 NK4H.125W1%+/- 100PPM2492	VISHAY BC COMPONENTS VISHAY E-SIL COMPONENTS
R521, 765	2	8159-0005	RESISTOR 0 CWM	106 L-2007-1 YZO 1/4 Z-25 Z25C	MICRO-OHM GETTIG ENGRG & MFG TT ELECTRONICS ASJ KOA
R531, 535, 644, 702, 834	5	0757-0280	RESISTOR 1K +-1pct .125W TF TC=0+-100	5053HD1K000F CMF-551001FT-1 NK4H.125W1%+/- 100PPM1001	VISHAY BC COMPONENTS VISHAY E-SIL COMPONENTS
R532, 689, 807, 840	4	0698-8827	RESISTOR 1M +-1pct .125W TF TC=0+-100	5053HD1M000F CMF-551004FT-1	VISHAY BC COMPONENTS VISHAY
R533, 534, 626, 703	4	0698-3162	RESISTOR 46.4K +-1pct .125W TF TC=0+-100	5053HD46K40F CMF-554642FT-1 NK4H.125W1%+/- 100PPM4642	VISHAY BC COMPONENTS VISHAY E-SIL COMPONENTS
R540, 601, 608, 610, 612, 832, 862	7	0757-0273	RESISTOR 3.01K +-1pct .125W TF TC=0+-100	5053HD3K010F CMF-553011FT-1 NK4H.125W1%+/- 100PPM3011	VISHAY BC COMPONENTS VISHAY E-SIL COMPONENTS
R541, 625, 664, 679, 710, 851	6	0698-3155	RESISTOR 4.64K +-1pct .125W TF TC=0+-100	5053HD4K640F CMF-554641FT-1 NK4H.125W1%+/- 100PPM4641	VISHAY BC COMPONENTS VISHAY E-SIL COMPONENTS
R543	1	0757-0289	RESISTOR 13.3K +-1pct .125W TF TC=0+-100	5053HD13K30F CMF-551332FT-1 NK4H.125W1%+/- 100PPM1332	VISHAY BC COMPONENTS VISHAY E-SIL COMPONENTS
R544, 635, 636, 642, 643, 672, 852	7	0757-0472	RESISTOR 200K +-1pct .125W TF TC=0+-100	5053HD200K0F CMF-552003FT-1 NK4H.125W1%+/- 100PPM2003	VISHAY BC COMPONENTS VISHAY E-SIL COMPONENTS

06674-60020 Control Board Assembly Parts List

Reference Designator	QTY	Agilent P/N	Description	MPN	Manufacturer
R604, 670, 752	3	0757-0199	RESISTOR 21.5K +-1pct .125W TF TC=0+-100	5053HD21K50F CMF-552152FT-1 NK4H.125W1%+/- 100PPM2152	VISHAY BC COMPONENTS VISHAY E-SIL COMPONENTS
R609, 611, 632, 639, 808	5	0757-0407	RESISTOR 200 +-1pct .125W TF TC=0+-100	5053HD200R0F CMF-552000FT-1 NK4H.125W1%+/- 100PPM200R0	VISHAY BC COMPONENTS VISHAY E-SIL COMPONENTS
R620, 667, 671, 680, 684, 715, 769, R853, 880, 896	10	0698-3279	RESISTOR 4.99K +-1pct .125W TF TC=0+-100	5053HD4K990F CMF-554991FT-1 NK4H.125W1%+/- 100PPM4991	VISHAY BC COMPONENTS VISHAY E-SIL COMPONENTS
R621, 836	2	0698-4479	RESISTOR 14K +-1pct .125W TF TC=0+-100	5053HD14K00F CMF-551402FT-1 NK4H.125W1%+/- 100PPM1402	VISHAY BC COMPONENTS VISHAY E-SIL COMPONENTS
R627, 688, 770, 831	4	0757-0429	RESISTOR 1.82K +-1pct .125W TF TC=0+-100	5053HD1K820F CMF-551821FT-1 CRB25-FX-1821 NK4H.125W1%+/- 100PPM1821	VISHAY BC COMPONENTS VISHAY ROHM E-SIL COMPONENTS
R630, 637, 687	3	0757-0434	RESISTOR 3.65K +-1pct .125W TF TC=0+-100	5053HD3K650F CMF-553651FT-1 NK4H.125W1%+/- 100PPM3651	VISHAY BC COMPONENTS VISHAY E-SIL COMPONENTS
R631, 678, 682, 822, 823, 833	6	0698-3450	RESISTOR 42.2K +-1pct .125W TF TC=0+-100	5053HD42K20F CMF-554222FT-1 NK4H.125W1%+/- 100PPM4222	VISHAY BC COMPONENTS VISHAY E-SIL COMPONENTS
R638, 641, 692, 694, 697, 698, 717	7	0699-0070	RESISTOR 3.16M +-1pct .125W TF TC=0+-100	B0207C3M160F CMF-553164FT-1	VISHAY BC COMPONENTS VISHAY
R650, 653, 828	3	0757-0453	RESISTOR 30.1K +-1pct .125W TF TC=0+-100	5053HD30K10F CMF-553012FT-1 NK4H.125W1%+/- 100PPM3012	VISHAY BC COMPONENTS VISHAY E-SIL COMPONENTS

06674-60020 Control Board Assembly Parts List

Reference Designator	QTY	Agilent P/N	Description	MPN	Manufacturer
R651, 652	2	0757-0473	RESISTOR 221K +-1pct .125W TF TC=0+-100	5053HD221K0F CMF-552213FT-1 NK4H.125W1%+/- 100PPM2213	VISHAY BC COMPONENTS VISHAY E-SIL COMPONENTS
R662, 663, 685	3	0757-0410	RESISTOR 301 +-1pct .125W TF TC=0+-100	5053HD301R0F CMF-553010FT-1 NK4H.125W1%+/- 100PPM301R0	VISHAY BC COMPONENTS VISHAY E-SIL COMPONENTS
R665-666, 801	3	0757-0447	RESISTOR 16.2K +-1pct .125W TF TC=0+-100	5053HD16K20F CMF-551622FT-1 NK4H.125W1%+/- 100PPM1622	VISHAY BC COMPONENTS VISHAY E-SIL COMPONENTS
R669, 855	2	0698-0082	RESISTOR 464 +-1pct .125W TF TC=0+-100	5053HD464R0F CMF-554640FT-1 NK4H.125W1%+/- 100PPM464R0	VISHAY BC COMPONENTS VISHAY E-SIL COMPONENTS
R690	1	0699-1254	RESISTOR 536K +-1pct .125W TF TC=0+-100	CMF-555363FT-1 5053HD536K0F	VISHAY VISHAY BC COMPONENTS
R693	1	0698-3558	RESISTOR 4.02K +-1pct .125W TF TC=0+-100	5053HD4K020F CMF-554021FT-1 NK4H.125W1%+/- 100PPM4021	VISHAY BC COMPONENTS VISHAY E-SIL COMPONENTS
R696, 723, 724, 802, 804	5	0757-0468	RESISTOR 130K +-1pct .125W TF TC=0+-100	5053HD130K0F CMF-551303FT-1 NK4H.125W1%+/- 100PPM1303	VISHAY BC COMPONENTS VISHAY E-SIL COMPONENTS
R699, 839	2	0699-0088	RESISTOR 1.21M +-1pct .125W TF TC=0+-100	B0207C1M210F CMF-551214FT-1	VISHAY BC COMPONENTS VISHAY
R712	1	0757-0469	RESISTOR 150K +-1pct .125W TF TC=0+-100	5053HD150K0F CMF-551503FT-1 NK4H.125W1%+/- 100PPM1503	VISHAY BC COMPONENTS VISHAY E-SIL COMPONENTS
R713	1	0683-2755	RES-FXD 2.7MOHM +-5PCT .25W TC 0-850	CF1/4-275J	ASJ

06674-60020 Control Board Assembly Parts List

Reference Designator	QTY	Agilent P/N	Description	MPN	Manufacturer
R718, 721, 722	3	0699-0461	RESISTOR 30K +-0.1pct .1W TF TC=0+-10	PR1/10TC1030K0.1% PTF-5630K0BT-13 UXBB30K000B	PRECISION RESISTIVE PRODUCTS VISHAY VISHAY BC COMPONENTS
R719	1	0699-1211	RESISTOR 95K +-0.1pct .1W TF TC=0+-5	PR 1/10T595K0.1% PTF-5695K0BT-16 UXBA95K000B	PRECISION RESISTIVE PRODUCTS VISHAY VISHAY BC COMPONENTS
R720	1	0699-2247	RESISTOR 121K +-0.05pct .1W TF TC 0+-5	PTF56121K00AZRE7 UXBA121K00A PR1/10T5121K0.05%	VISHAY VISHAY BC COMPONENTS PRECISION RESISTIVE PRODUCTS
R730, 731	2	0699-2248	RESISTOR 47.5K +-0.05pct .125W TF TC=0+-5	PR1/10T547K5.05% PTF-5647K50AT-16 UXBA47K500A	PRECISION RESISTIVE PRODUCTS VISHAY VISHAY BC COMPONENTS
R732, 733	2	0698-6342	RESISTOR 90K +-0.1pct .125W TF TC=0+-25	B0207E90K00B CMF-559002BT-9	VISHAY BC COMPONENTS VISHAY
R750, 766, 790, 791, 810	5	0698-8093	RESISTOR 40K +-0.1pct .1W TF TC=0+-5	PR1/10T540K0.1% PTF-5640K0BT-16 UXBA40K000B	PRECISION RESISTIVE PRODUCTS VISHAY VISHAY BC COMPONENTS
R761, 762, 870, 871	4	0698-3430	RESISTOR 21.5 +-1pct .125W TF TC=0+-100	5053HD21R50F CMF-5521R5FT-1 NK4H.125W 1%+/- 100PPM21R5	VISHAY BC COMPONENTS VISHAY E-SIL COMPONENTS
R767	1	0699-0055	RESISTOR 4.53K +-0.1pct .1W TF TC=0+-5	PR1/10T54K53.1% PTF-564K53BT-16 UXB0207-05 0,1% RP 4.53K	PRECISION RESISTIVE PRODUCTS VISHAY VISHAY BC COMPONENTS
R768	1	0699-0211	RESISTOR 859 +-0.1pct .125W TF TC=0+-25	B0207E859R0B CMF-558590BT-9	VISHAY BC COMPONENTS VISHAY

06674-60020 Control Board Assembly Parts List

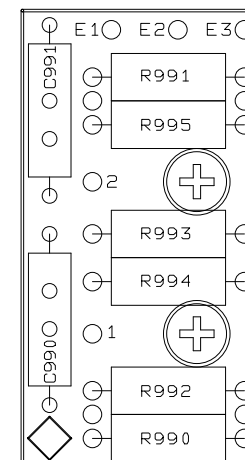
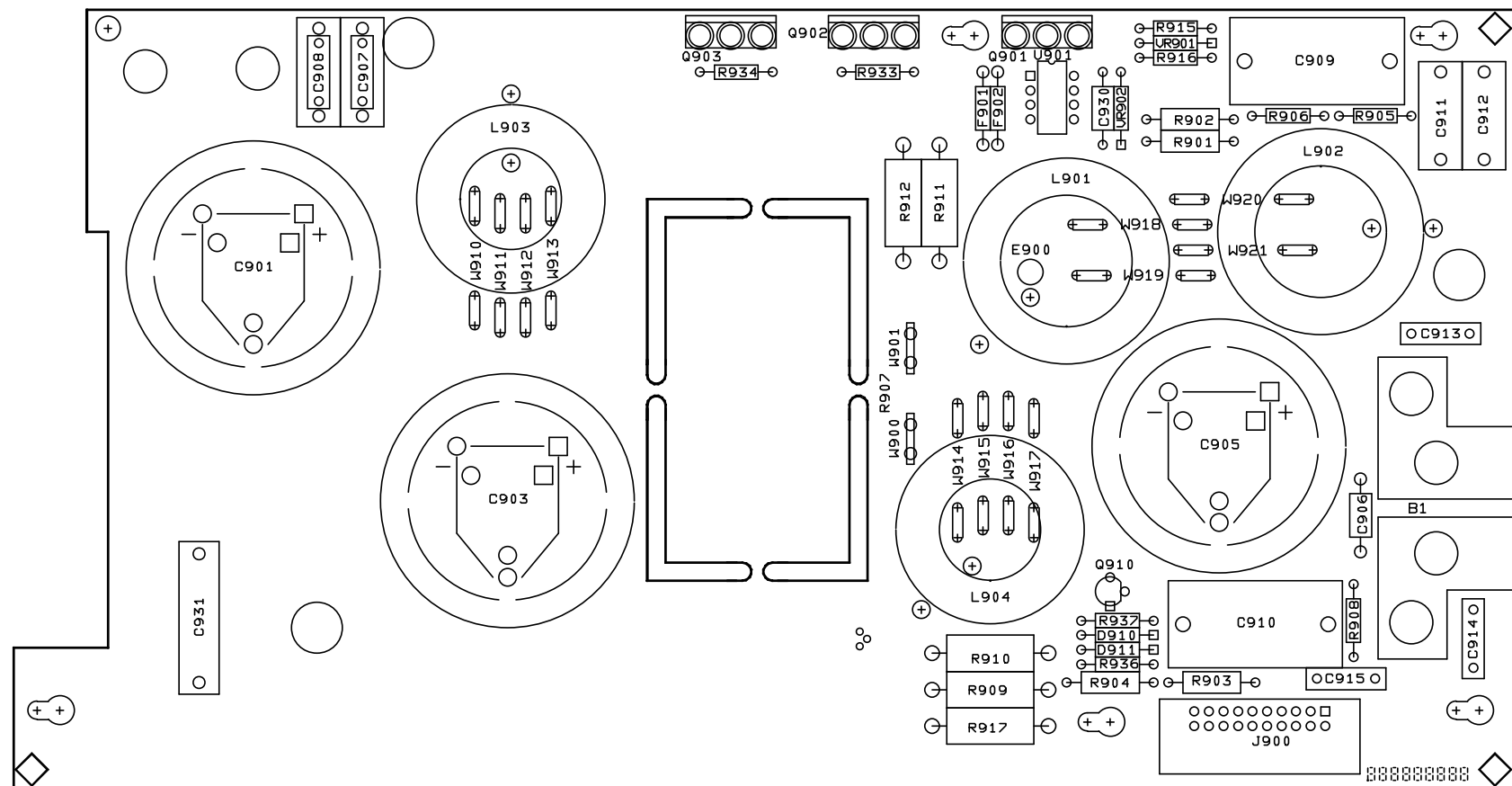
Reference Designator	QTY	Agilent P/N	Description	MPN	Manufacturer
R785	1	0757-0471	RESISTOR 182K +-1pct .125W TF TC=0+-100	5053HD182K0F CMF-551823FT-1 NK4H.125W1%+/- 100PPM1823	VISHAY BC COMPONENTS VISHAY E-SIL COMPONENTS
R792, 793	2	0698-6414	RESISTOR 1K +-0.1pct .1W TF TC=0+-5	PR 1/10T51K0.1% PTF-561K0BT-16 UXB0207-05 0,1% RP 1K	PRECISION RESISTIVE PRODUCTS VISHAY VISHAY BC COMPONENTS
R794, 795	2	0698-6323	RES-FXD 100 OHM +-0.1PCT 0.125W TC 0+-25 020	CMF-551000BT-9 MBB0207-25 0.1%__100R	VISHAY VISHAY BC COMPONENTS
R805	1	0699-2246	RESISTOR 25K +-0.05pct .125W TF TC=0+-5	PR1/10T525K0.05% PTF-5625K00AT-16 UXBA25K000A	PRECISION RESISTIVE PRODUCTS VISHAY VISHAY BC COMPONENTS
R809	1	0699-0489	RESISTOR 16.15K +-0.1pct .1W TF TC=0+-5	PR1/10T516K15.1% PTF-5616K15BT-16 UXBA16K150B	PRECISION RESISTIVE PRODUCTS VISHAY VISHAY BC COMPONENTS
R820, 821	2	0757-0460	RESISTOR 61.9K +-1pct .125W TF TC=0+-100	5053HD61K90F CMF-556192FT-1 NK4H.125W1%+/- 100PPM6192	VISHAY BC COMPONENTS VISHAY E-SIL COMPONENTS
R827, 861	2	0698-4123	RESISTOR 499 +-1pct .125W TF TC=0+-100	5053HD499R0F CMF-554990FT-1 NK4H.125W1%+/- 100PPM499R0	VISHAY BC COMPONENTS VISHAY E-SIL COMPONENTS
R854	1	0683-2255	RESISTOR 2.2M +-5pct .25W CF TC=0-830	CF 14 2M 5% CF1/4C__225J	ASJ KOA
R860	1	0683-1005	RES-FXD 10 +-5PCT .25W CF TC 0-400	20028878 CF1/4-100J LCA0207 10 5% 20028878 CF1/4C__100J	PHILIPS ASJ VISHAY NXP KOA

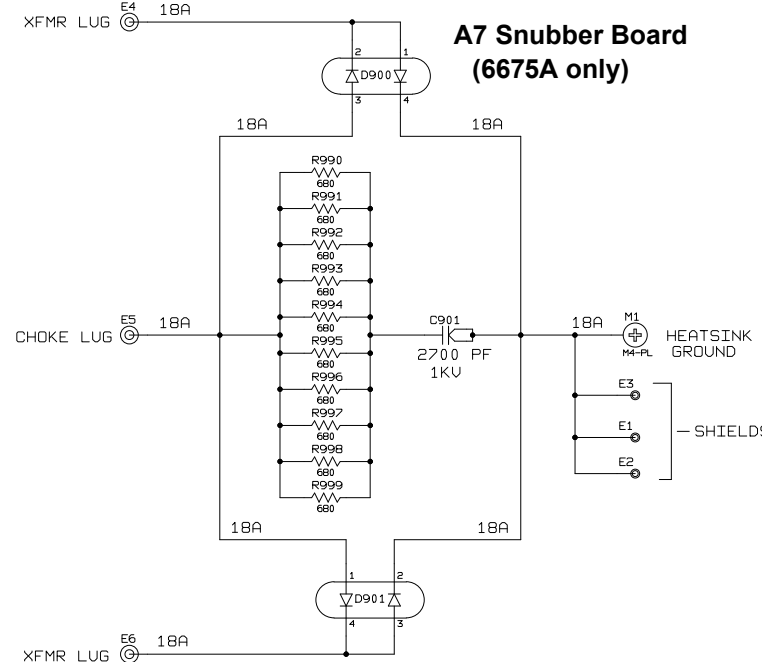
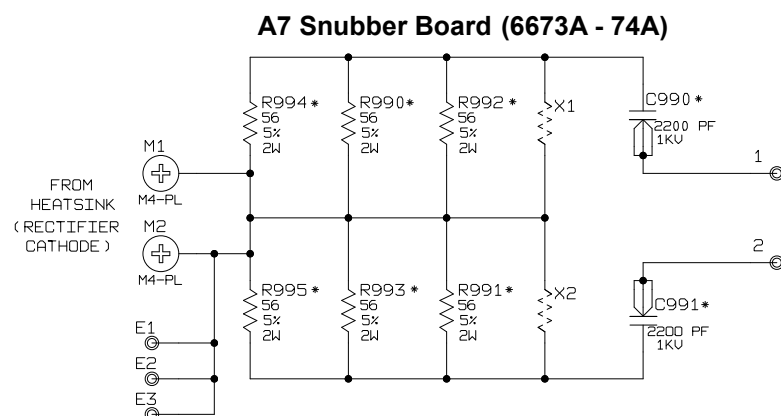
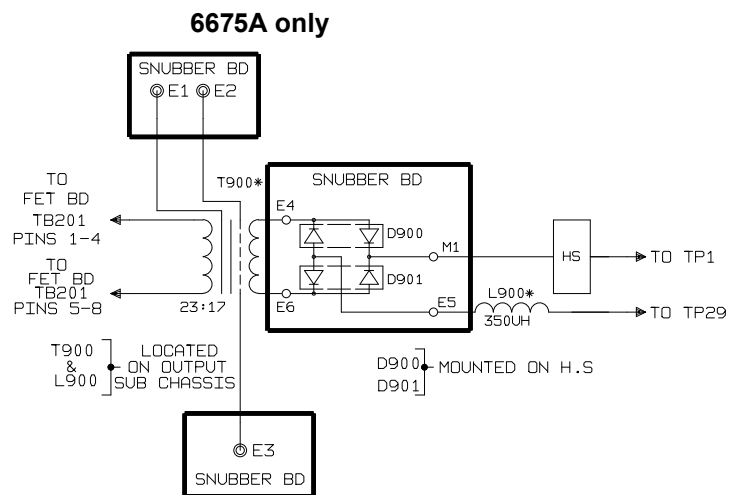
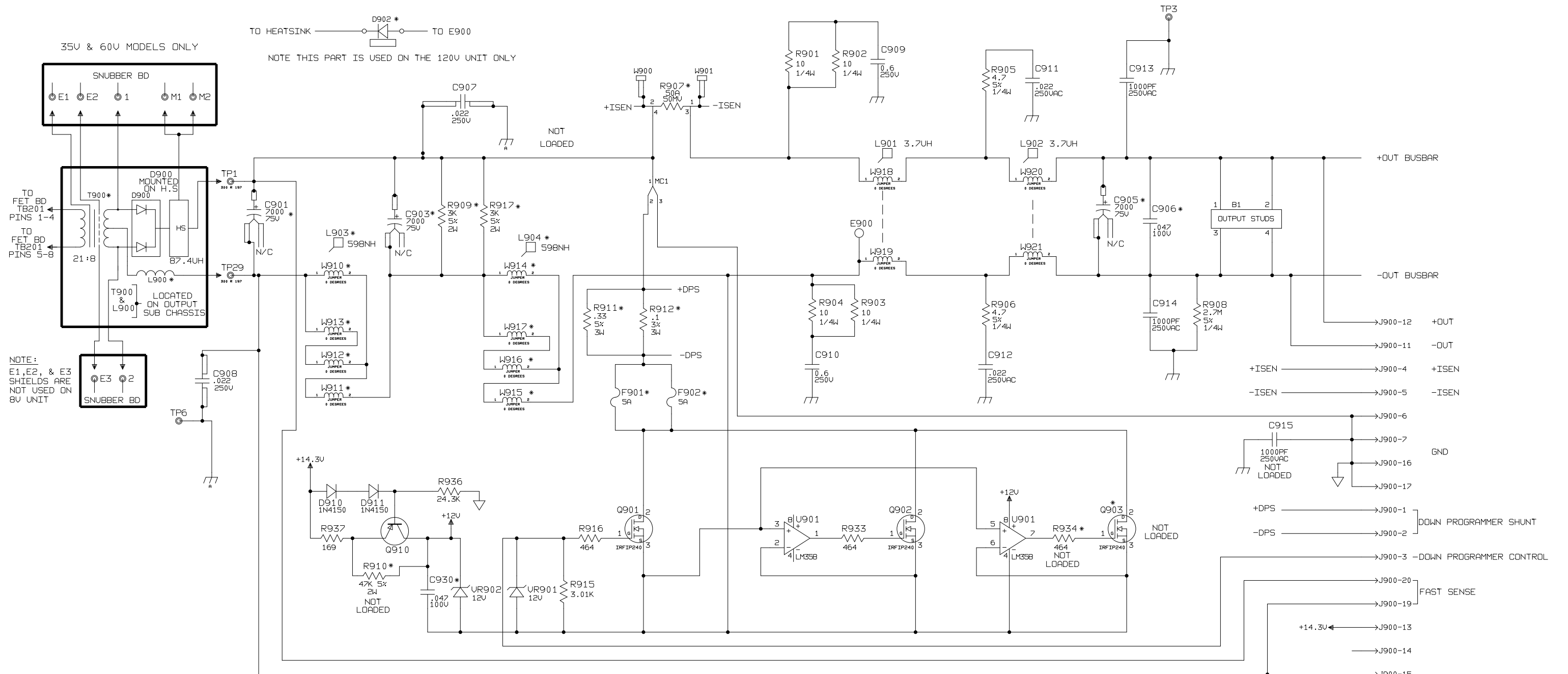
06674-60020 Control Board Assembly Parts List

Reference Designator	QTY	Agilent P/N	Description	MPN	Manufacturer
R885	1	0757-0283	RESISTOR 2K +-1pct .125W TF TC=0+-100	5053HD2K000F CMF-552001FT-1 NK4H.125W1%+/- 100PPM2001	VISHAY BC COMPONENTS VISHAY E-SIL COMPONENTS
R893	1	0757-0440	RESISTOR 7.5K +-1pct .125W TF TC=0+-100	5053HD7K500F CMF-557501FT-1 NK4H.125W1%+/- 100PPM7501	VISHAY BC COMPONENTS VISHAY E-SIL COMPONENTS
R894, 895	2	0699-2198	RESISTOR 243K +-0.05pct .1W TF TC=0+-5	PR 1/10T5243K0.05% PTF-56243K0AT-16 UXBA243K00A	PRECISION RESISTIVE PRODUCTS VISHAY VISHAY BC COMPONENTS
REF Y501	1	0340-1277	INSULATOR-CAP PLASTIC		
U502, POLARITY	1	5080-2150	PRGMD-GAL,MAIN 1820-5398		
U502a		1820-5398	IC PLD EEPLD UNPRGMD CMOS GAL16V8	GAL16V8D-25QP	LATTICE SEMICONDUCTOR
U503, 513, 518, 630	4	1826-1370	IC COMPARATOR QUAD 16 PIN DIP-P		
U504	1	5185-1398	Programmed Secondary Processor		
U504a	1	1822-1762	IC MCU W/ROM 4KX8 CMOS 40-DIP	P87C51SBPN P87C51SBPN	PHILIPS NXP
U505	1	1826-1369	IC PWR MGT-V-REF-FXD 9.95/10.05V 8 PINS	LT1021DCN8-10	LINEAR TECHNOLOGY
U507, 509, 511	3	1826-2187	D/A 12-BIT 20-PLASTIC CMOS	AD7545LNZ	ANALOG DEVICES
U508, 510, 512	3	1826-1896	IC OP AMP PRCN 8 PIN DIP-P	LT1001CN8 LT1001CN8	LINEAR TECHNOLOGY MAXIM INTEGRATED PRODUCTS
U517	1	1826-0161	IC OP AMP GP QUAD 14 PIN DIP-P	LM324NNOBP	NATIONAL SEMICONDUCTOR
U600	1	1820-3199	IC CNTR CMOS/HC BIN ASYNCHRO	MM74HC4040N	FAIRCHILD SEMICONDUCTOR
U601, 604	2	1820-2922	IC GATE CMOS/HC NAND QUAD 2-INP	74HC00N MM74HC00N MC74HC00ANG 74HC00N	PHILIPS FAIRCHILD SEMICONDUCTOR ON SEMICONDUCTOR NXP
U602	1	1820-3081	IC FF CMOS/HC D-TYPE POS-EDGE-TRIG	MM74HC74AN SN74HC74N MC74HC74ANG	FAIRCHILD SEMICONDUCTOR TEXAS INSTRUMENTS ON SEMICONDUCTOR
U603	1	1826-2343	IC PWR MGT-16 PINS DIP-P PKG	TL598CN	TEXAS INSTRUMENTS
U605	1	1826-0065	IC COMPARATOR PRCN 8 PIN DIP-P	LM311P LM311NNOBP	TEXAS INSTRUMENTS NATIONAL SEMICONDUCTOR

06674-60020 Control Board Assembly Parts List

Reference Designator	QTY	Agilent P/N	Description	MPN	Manufacturer
U606	1	1858-0083	TRANSISTOR ARRAY 14-PIN PLSTC DIP	MPQ6002	CENTRAL SEMICONDUCTOR
U607, 618, 621	3	1826-0962	IC OP AMP LOW-BIAS-H-IMPED DUAL 8 PIN	LF412CNNOPB	NATIONAL SEMICONDUCTOR
U608	1	1826-0890	IC OP AMP GP DUAL 8 PIN DIP-P	LM358ANNOPB	NATIONAL SEMICONDUCTOR
U609	1	1826-1343	IC PWR MGT-V-REF-ADJ 2.5/36V 8 PINS	TL431CP	TEXAS INSTRUMENTS
U612, 615	2	1826-1409	IC OP AMP LOW-NOISE DUAL 8 PIN DIP-P	LT1013CN8	LINEAR TECHNOLOGY
U617	1	1826-1895	IC OP AMP PRCN 8 PIN DIP-P	LT1001ACN8	LINEAR TECHNOLOGY
VR630	1	1902-1377	DIODE-ZNR 6.19V 2pct DO-35 PD=.4W	SZG30460RL	TAK CHEONG ELECTRONICS
VR631	1	1902-0018	DIODE-ZNR 1N941 11.7V 5pct DO-7 PD=.5W	1N941	MICROSEMI
Y501	1	0410-2109	CRYSTAL-QUARTZ 12.000 MHZ	AT-51-12.000MHZ HC49S-12MHZ KD2109	NIHON DEMPYA KOGYO FOX ELECTRONICS KYUSHU DENTSU
	1	0160-8854	CAP-FXD 2.2uF +-5PCT 50V POLYE-MET	MKS2 2.2uF/50V/5	WIMA





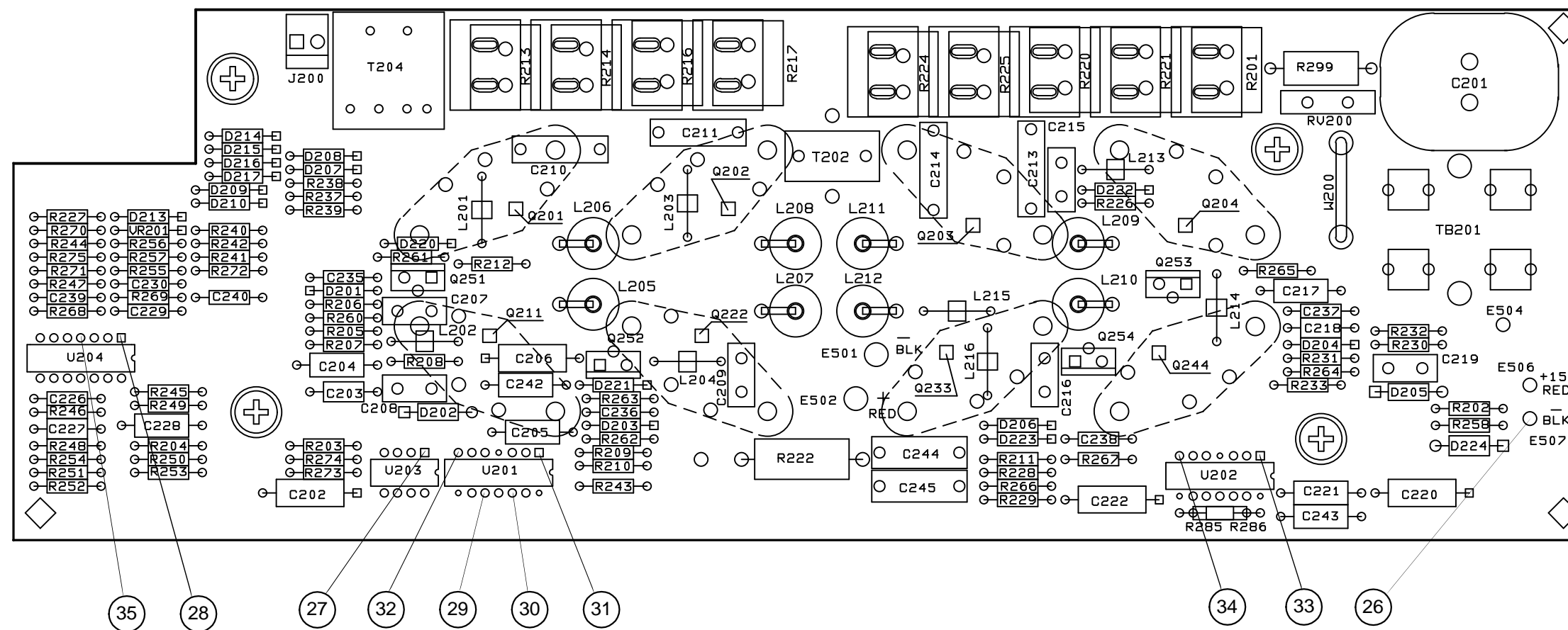
A6 Output Filter & A7 Snubber Boards Schematic Diagrams (65/6673A - 75A)

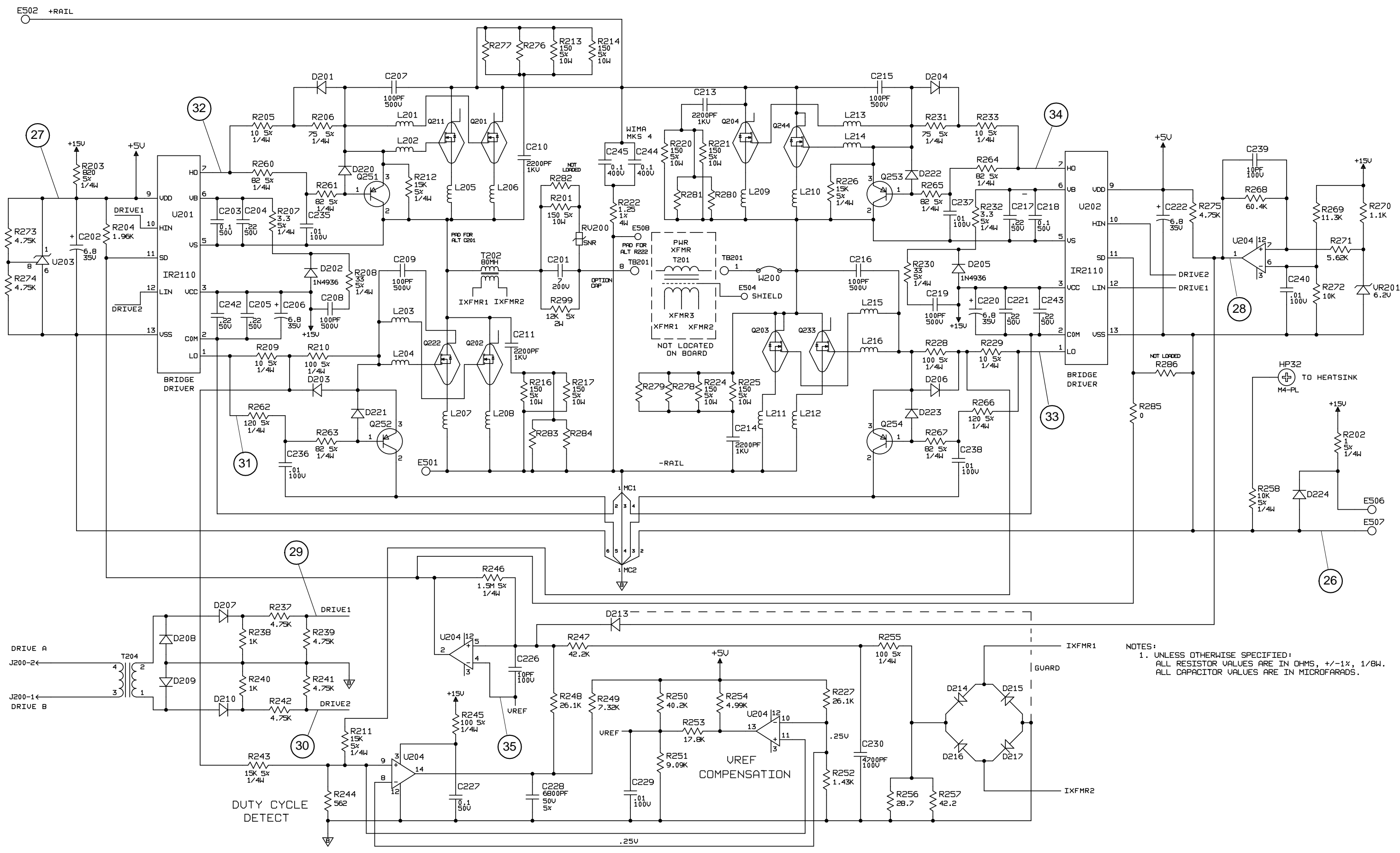
06674-60030 Output Filter Board and Snubber Board Assembly Parts List

Reference Designator	QTY	Agilent P/N	Description	MPN	Manufacturer
C901, 903, 905	3	0180-4372	CAP-FXD 7000uF +-20pct 75 V AL-ELCTLT	439RE1086	CORNELL-DUBILIER ELECTRONICS
C906, 930	2	0160-4834	CAP-FXD 0.047uF +-10pct 100 V CER X7R	C430C473K1R5CA DA13X7R2A473K SA301C473KAAH SA301C473KAAH	KEMET ELECTRONICS TDK AVX KYOCERA
C907, 908, 911, 912	4	0160-4048	CAP-FXD 0.022uF +-20PCT 250V PPR-MET	MP3-Y2 0.022/20/250 PME271Y522MR30	WIMA KEMET
C909, 910	2	0160-4413	CAP-FXD 0.6uF +-10pct 250 V PPR-MET	PME271M660KR30	KEMET
C913, 914	2	0160-4183	CAP-FXD 1000pF +-20pct 250 V PPR-MET	PME271Y410MR30	KEMET
C931	1	0160-6825	CAP-FXD 0.47uF +-10pct 250 V POLYE-MET	474MSR250K MKS4 0.47UF/250V/10% MKT 1822-447/255 X678.4710%400VDCN MMK22.5474K250	ILLINOIS CAPACITOR WIMA VISHAY AMERICAN SHIZUKI KEMET
C990, 991	2	0160-6838	CAP-FXD 2200pF +-20pct 1 kV POLYP-FL	FKP 1 2200/1250/20	WIMA
D910, 911	2	1901-1098	DIODE-SWITCHING 1N4150 50V 200MA 4NS	1N4150 1N4150	FAIRCHILD SEMICONDUCTOR ROHM
E1-3	3	1251-0600	CONNECTOR-SGL CONT PIN 1.14-MM-BSC-SZ SQ	16-06-0034 928-196-004140 MM 600G	MOLEX TEXTRON MILL-MAX
F901, 902	2	2110-0699	FUSE-SUBMINIATURE 5A 125V NTD AX UL-LST	0251005 L	LITTELFUSE
J900	1	1251-8667	CONN-POST TYPE .100-PIN-SPCG-MTG-END	5-534978-3	TYCO ELECTRONICS AMP
L901, 902	2	9170-0061	CORE-TOROID AL=3639-NH/TT	4335-000-25561	FERROXCUBE USA
L903A, 903B, 904A, 904B	4	9170-1512	CORE-TOROID AL=8000-NH/TT	T132-40	MICRO METALS
Q910	1	1853-0510	TRANSISTOR PNP SI TO-92 PD 625MW FT 200MHz	CEN1122	CENTRAL SEMICONDUCTOR
R901-904	4	0757-0489	RESISTOR 10 +-1pct .25W TF TC=0+-100	CMF-6010R0FT-1 MBB0207C10R00F H410R0FZ	VISHAY VISHAY BC COMPONENTS TYCO INTERNATIONAL
R905, 906	2	0683-0475	RESISTOR 4.7 +-5pct .25W CF TC=0-400	CF 1/4 C ___ 4R7 J CF 14 4R 5% RC1/4 4R7 5%	KOA ASJ SEI ELECTRONICS
R908	1	0683-2755	RES-FXD 2.7MOHM +-5PCT .25W TC 0-850	CF1/4-275J	ASJ
R909, 917	2	0698-3642	RESISTOR 3K +-5pct 2W MO TC=0+-200	FP69 3K0 5% GS-33001	VISHAY TT ELECTRONICS

06674-60030 Output Filter Board and Snubber Board Assembly Parts List

Reference Designator	QTY	Agilent P/N	Description	MPN	Manufacturer
R911	1	0812-0019	RESISTOR .33 +-5pct 3W PWI TC=0+-90	CW-2B R33 5% T2B-9-0R3-5%	VISHAY TT ELECTRONICS
R912	1	0699-1075	RES-FXD 0.1 OHM +-3PCT 3W MFS TC=0+-70	LOB-3-R100-H-LF	TT ELECTRONICS
R915	1	0757-0273	RESISTOR 3.01K +-1pct .125W TF TC=0+-100	5053HD3K010F CMF-553011FT-1 NK4H.125W1%+/- 100PPM3011	VISHAY BC COMPONENTS VISHAY E-SIL COMPONENTS
R916, 933	2	0698-0082	RESISTOR 464 +-1pct .125W TF TC=0+-100	5053HD464R0F CMF-554640FT-1 NK4H.125W1%+/- 100PPM464R0	VISHAY BC COMPONENTS VISHAY E-SIL COMPONENTS
R936	1	0757-0451	RESISTOR 24.3K +-1pct .125W TF TC=0+-100	5053HD24K30F CMF-552432FT-1 NK4H.125W1%+/- 100PPM2432	VISHAY BC COMPONENTS VISHAY E-SIL COMPONENTS
R937	1	0698-4416	RESISTOR 169 +-1pct .125W TF TC=0+-100	5053HD169R0F CMF-551690FT-1 NK4H.125W1%+/- 100PPM169R0	VISHAY BC COMPONENTS VISHAY E-SIL COMPONENTS
R990-995	6	0764-0013	RESISTOR 56 +-5pct 2W MO TC=0+-200	FP69 56R0 5% GS-356R0 MO2C__560J	VISHAY TT ELECTRONICS KOA
REF L901-904	4	1400-3204	CABLE TIE .062-.625-DIA .09-WD NYL	PAN T1M-M TY23M	BOSSARD TYCO INTERNATIONAL
REF Q901	6	1251-4211	CONNECTOR-SGL CONT SKT .049-IN-BSC-SZ	50871-8	TYCO ELECTRONICS AMP
U901	1	1826-0890	IC OP AMP GP DUAL 8 PIN DIP-P	LM358ANNOB	NATIONAL SEMICONDUCTOR
VR901, VR902	2	1902-0960	DIODE-ZNR 12V 5pct DO-35 PD=.4W TC=+.077pct	1N963BD035	MICROSEMI
W900, 901	2	1251-4180	CONNECTOR-SGL CONTACT QUICK DISCONNECT	895	ZIERICK
W910, 911, 914, 915, 918-921	8	5080-2177	JUMPER, 2KW	5080-2177 5080-2177	EVS METAL PARADIGM METAL INDUSTRIES





NOTES:
1. UNLESS OTHERWISE SPECIFIED:
ALL RESISTOR VALUES ARE IN OHMS, +/-1%, 1/8W.
ALL CAPACITOR VALUES ARE IN MICROFARADS.

5060-3337 FET Board Assembly Parts List

Reference Designator	QTY	Agilent P/N	Description	MPN	Manufacturer
C201	1	0160-7505	CAP-FXD 7uF +-5pct 200 V POLYP-MET	5MP-10066J	ELECTRONIC CONCEPTS
C202,C206,C220,C222	4	0161-1001	CAP-FXD 4.7UF +-20PCT 25V CER X5R 1210	CE TMK325BJ475MN 12103D475MATA	TAIYO YUDEN AVX
C203,C218	2	0160-7746	CAP-FXD 0.33uF +-5pct 25 V CER X7R	C1210C334J3RAC VJ1210Y334JXXA	KEMET ELECTRONICS VISHAY
C205,C221	2	0161-0914	CAP-FXD 0.47uF +-10pct 25 V CER X7R	C2012X7R1E474K GRM21BR71E474KA01	TDK MURATA MANUFACTURING
C207, C209, C215, C216	4	0161-1524	CAP-FXD 200pF +-5PCT 1000V MICA CHIP 2220	MC22FF201J-F	CORNELL-DUBILIER ELECTRONICS
C208,C219	2	0160-8826	CAP-FXD 100pF +-5PCT 1000 V MICA 2220	UC553A1000J MC22FF101J_-F	SOSHIN ELECTRIC CORNELL-DUBILIER ELECTRONICS
C210,C211,C213,C214	4	0160-6838	CAP-FXD 2200pF +-20pct 1 kV POLYP-FL	FKP 1 2200/1250/20	WIMA
C226,C239	2	0160-7834	CAP-FXD 10pF +-5PCT 50 V CER C0G	C1608COG1H100D 06035A100JAT GRM1885C1H100JD01D C0603C100J5GAC	TDK AVX MURATA MANUFACTURING KEMET ELECTRONICS
C227	1	0160-7798	CAP-FXD 0.1uF +-10PCT 50V CER X7R	GRM21BR71H104KA11L VJ0805Y104KXAMT 08055C104KAT_A C0805C104K5RAC C2012X7R1H104K	MURATA MANUFACTURING VISHAY AVX KEMET ELECTRONICS TDK
C228	1	0160-7951	CAP-FXD 6800pF +-1PCT 50V CER C0G	C1210C682F5GAC	KEMET ELECTRONICS
C229,C235,C236,C237, C238,C240	6	0160-7751	CAP-FXD 0.01uF +-10pct 50 V CER X7R	06035C103KAT C0603C103K5RAC C1608X7R1H103KT GRM188R71H103KA01D	AVX KEMET ELECTRONICS TDK MURATA MANUFACTURING
C230	1	0160-7711	CAP-FXD 4700pF +-10pct 50 V CER X7R	06035C472KATRA 0603X472K500ST C0603C472K5RAC C1608X7R1H472KT GRM188R71H472KD01D	AVX CAPAX TECHNOLOGIES KEMET ELECTRONICS TDK MURATA MANUFACTURING
C244,C245	2	0160-6806	CAP-FXD 0.1uF +-10pct 400 V POLYE-MET	MKS4 0.1UF/400V/10% MKT 1822-410/405 MMK15104K400A03L4	WIMA VISHAY KEMET

5060-3337 FET Board Assembly Parts List

Reference Designator	QTY	Agilent P/N	Description	MPN	Manufacturer
D201,D203,D204,D206, D207,D209,D213,D214,D216	9	1906-0291	DIODE-DUAL 70V 100MA T0-236AA	BAV99 BAV99 BAV99LT1G BAV99____X_ BAV99	PHILIPS FAIRCHILD SEMICONDUCTOR ON SEMICONDUCTOR INFINEON TECHNOLOGIES NXP
D202,D205,D224	3	1901-1335	DIODE-PWR RECT 400V 1A 50NS	MURS140T3G	ON SEMICONDUCTOR
Fuse Holder	4	2110-1319	FUHLR-CLP-TYP 15A 500V PC MOUNT	102071	LITTELFUSE
J200	1	1252-0055	CONN-POST TYPE .156-PIN-SPCG-MTG-END	26-60-4020	MOLEX
J201	1	1251-7616	CONN-UTIL MT-LK 2-CONT-POS	350787-1	TYCO ELECTRONICS AMP
J202	1	1252-2503	CONN-POST TYPE .156-PIN-SPCG-MTG-END	640389-2	TYCO ELECTRONICS AMP
L201,L202,L203,L204	4	9170-1476	CORE-SHIELDING BEAD	4330-030-36291 28F0121-0SR-10 2743019447	FERROXCUBE USA STEWART FAIR RITE PRODUCTS
L206,L208,L209,L211	4	9170-2122	CORE-TOROID AL 20-NH/TT 9.53-MM-OD	T38-8/90	MICRO METALS
PCB	1	5020-8484	Raw PCB for TO247 FET board		
Q201,Q202,Q203,Q204	4	1854-1784	TRANSISTOR-IGBT SI TO-247AC PD 220W	IRGP20B60PDPBF	INTERNATIONAL RECTIFIER
Q251,Q252,Q253,Q254	4	1853-0655	TRANSISTOR PNP SI TO-252AA PD FT 40 MHZ TY	KSH45H11 MJD45H11T4G	FAIRCHILD SEMICONDUCTOR ON SEMICONDUCTOR
R201	1	0699-7384	RES-FXD 150 OHM +-1PCT 30W TC -20 TO 80 T0-2	MP930-150-1%	CADDOCK ELECTRONICS
R202,R218,R219,R222, R223	5	0699-4285	RES-FXD 1 OHM +-5PCT 1W TKF TC 400 2512	MCR100____J1R0 RK73B3AT____1R0J	ROHM KOA
R203	1	0699-1437	RESISTOR 825 +-1pct .125W TKF TC=0+-100	CRCW1206825RFKE_ RK73H2BT_8250F MCR18____F8250 232272468251	VISHAY KOA ROHM YAGEO
R204	1	0699-3954	RESISTOR 1.96K +-1pct .063W TKF TC=0+-200	CRCW06031K96FKE_ RK73H1JT_1961F 232270461962L MCR03____FX1961	VISHAY KOA YAGEO ROHM
R205,R209,R229,R233	4	0699-3901	RES-FXD 10 +-1PCT .063W TKF TC=0+-200	CRCW060310R0FKE_ RK73H1JT_10R0F 232270461009L MCR03____FX10R0 MC060310R0-FT	VISHAY KOA YAGEO ROHM RCD COMPONENTS

5060-3337 FET Board Assembly Parts List

Reference Designator	QTY	Agilent P/N	Description	MPN	Manufacturer
R206,R231	2	0699-3921	RES-FXD 75 OHM +-1PCT 0.1W TC 0+-200	CRCW060375R0FKE_ RK73H1JT_75R0F 232270467509L MCR03__FX75R0	VISHAY KOA YAGEO ROHM
R207,R232	2	0699-2890	RESISTOR 3.3 +-5pct .125W TKF TC=0+-300	CRCW12063R30JNE_ RK73B2BT_3R3J MCR18__J3R3	VISHAY KOA ROHM
R208,R230	2	0699-3913	RESISTOR 31.6 +-1pct .063W TKF TC=0+-200	CRCW060331R6FKE_ RK73H1JT_31R6F 232270463169L MCR03__FX31R6	VISHAY KOA YAGEO ROHM
R210,R228,R245,R255	4	0699-3924	RES-FXD 100 +-1PCT .063W TKF TC=0+-200	CRCW0603100RFKE_ CR16-1000-JL RK73H1JT_1000F MCR03__FX1000 232270461001 MC06031000-FT	VISHAY ASJ KOA ROHM YAGEO RCD COMPONENTS
R211,R212,R226,R243,R253	5	0699-3974	RESISTOR 14.7K +-1pct .063W TKF TC=0+-200	CRCW060314K7FKE_ CR16-1472-FL RK73H1JT1472F RK73H1JT1472F 232270461473	VISHAY ASJ KOA ROHM YAGEO
R213,R216,R220,R224	4	0699-7383	RES-FXD 75 OHM +-1PCT 30W TC -20 TO 80 T0-22	MP930-75.0-1%	CADDOCK ELECTRONICS
R227,R248	2	0699-3980	RESISTOR 26.1K +-1pct .063W TKF TC=0+-100	CRCW060326K1FKE_ RK73H1JT_2612F MCR03__FX2612 232270462613	VISHAY KOA ROHM YAGEO
R236	1	0699-4010	RESISTOR 511K +-1pct .063W TKF TC=0+-200	CRCW0603511KFKE_ RK73H1JT_5113F MCR03__FX5113 232270465114	VISHAY KOA ROHM YAGEO
R237,R239,R241,R242, R273,R274,R275	7	0699-3963	RESISTOR 4.64K +-1pct .063W TKF TC=0+-200	CRCW06034K64FKE_ RK73H1JT_4641F 232270464642L MCR03__FX4641	VISHAY KOA YAGEO ROHM

5060-3337 FET Board Assembly Parts List

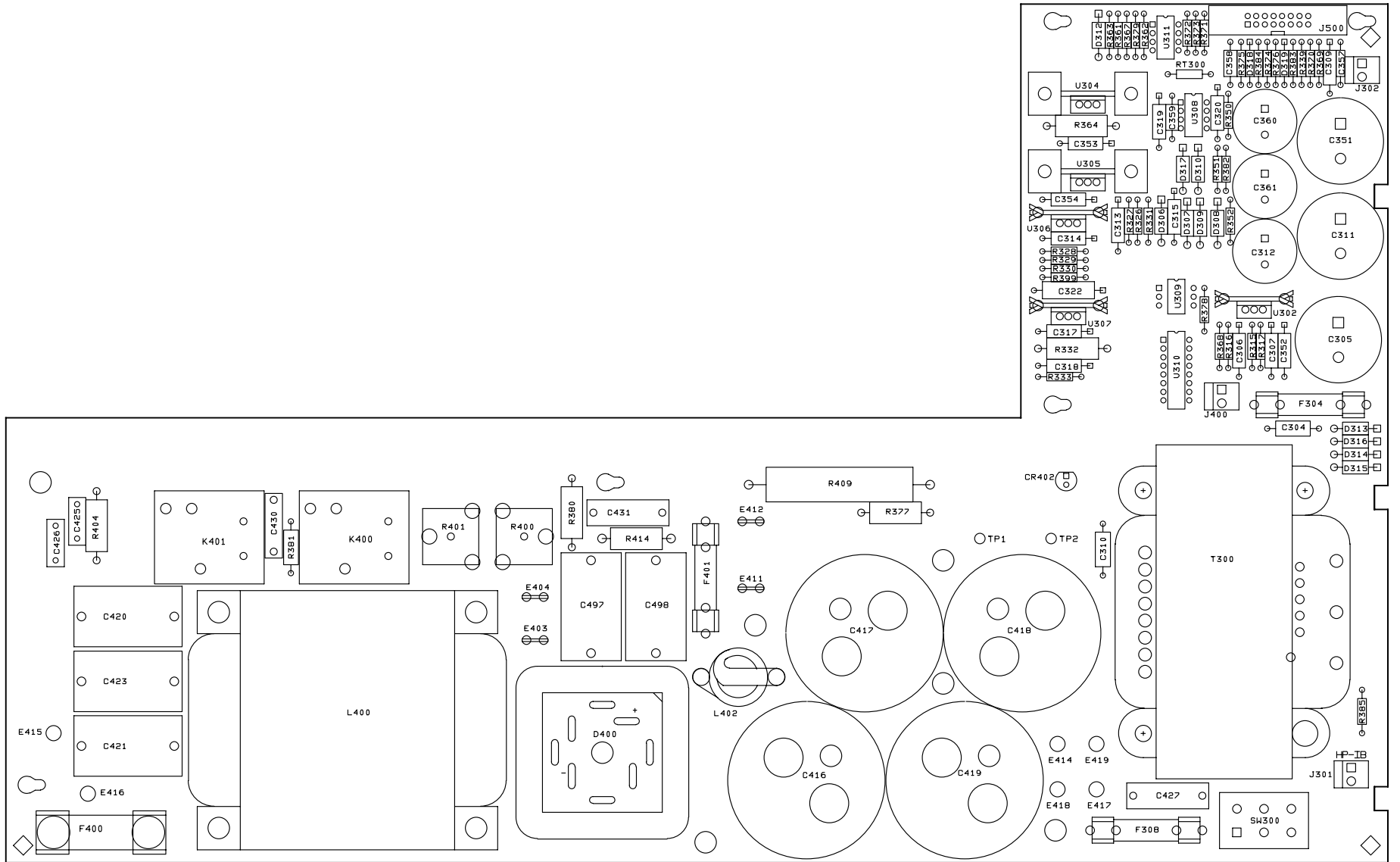
Reference Designator	QTY	Agilent P/N	Description	MPN	Manufacturer
R238,R240	2	0699-3947	RESISTOR 1K +-1pct .063W TKF TC=0+-200	CRCW06031K00FKE_ CR16-1001-FL RK73H1JT_1001F 2322704_1002L MCR03__FX1001 MC06031001-FT	VISHAY ASJ KOA YAGEO ROHM RCD COMPONENTS
R244	1	0699-3366	RESISTOR 562 +-1pct .065W TKF TC=0+-200	CRCW0603562RFKE_ RK73H1JT_5620F 232270465621L MCR03__FX5650	VISHAY KOA YAGEO ROHM
R246	1	0699-4016	RES-FXD 1MOHM +-1PCT .063W TC 0+-200	RK73H1JT__1004F RC0603F_-_1ML CRCW06031M00FKE MCR03__FX1004	KOA YAGEO VISHAY ROHM
R247,R268	2	0699-3988	RESISTOR 61.9K +-1pct .063W TKF TC=0+-200	CRCW060361K9FKE_ CR16-6192-FL RK73H1JT_6192F MCR03__FX6192 232270466193	VISHAY ASJ KOA ROHM YAGEO
R249	1	0699-3967	RESISTOR 7.5K +-1pct .063W TKF TC=0+-200	CRCW06037K50FKE_ RK73H1JT_7501F 232270467502L MCR03__FX7501	VISHAY KOA YAGEO ROHM
R250	1	0699-3987	RESISTOR 51.1K +-1pct .063W TKF TC=0+-200	CRCW060351K1FKE_ CR16-5112-FL RK73H1JT_5112F 232270465113L MCR03__FX5112	VISHAY ASJ KOA YAGEO ROHM
R251	1	0699-3969	RESISTOR 9.09K +-1pct .063W TKF TC=0+-200	CRCW06039K09FKE_ RK73H1JT_9091F MCR03__FX9091 232270469092	VISHAY KOA ROHM YAGEO
R252	1	0699-3951	RESISTOR 1.47K +-1pct .063W TKF TC=0+-200	CRCW06031K47FKE_ RK73H1JT_1471F 232270461472L MCR03__FX1471	VISHAY KOA YAGEO ROHM

5060-3337 FET Board Assembly Parts List

Reference Designator	QTY	Agilent P/N	Description	MPN	Manufacturer
R254	1	0699-4752	RESISTOR 4.99K +-1PCT .063W TKF TC=0+-200	CRCW06034K99FKE_ RK73H1JT_4991F MCR03__FX4991 232270464992 MC06034991-FT	VISHAY KOA ROHM YAGEO RCD COMPONENTS
R256	1	0699-3904	RESISTOR 13.3 +-1pct .063W TKF TC=0+-200	CRCW060313R3FKE_ RK73H1JT_13R3F MCR03__FX13R3 232270461339 MC060313R3-FT	VISHAY KOA ROHM YAGEO RCD COMPONENTS
R258	1	0699-3970	RESISTOR 10K +-1pct .063W TKF TC=0+-200	CRCW060310K0FKE_ RK73H1JT_1002F 232270461003L MCR03__FX1002	VISHAY KOA YAGEO ROHM
R260,R261,R263,R264, R265,R267	6	0699-3922	RESISTOR 82.5 +-1PCT .063W TKF TC=0+-200	CRCW060382R5FKE_ RK73H1JT_82R5F 232270468259L MCR03__FX82R5	VISHAY KOA YAGEO ROHM
R262,R266	2	0699-3926	RESISTOR 121 +-1pct .063W TKF TC=0+-200	CRCW0603121RFKE_ RK73H1JT_1210F 232270461211L MCR03__FX1210 CR16-1210-FF	VISHAY KOA YAGEO ROHM ASJ
R269	1	0699-3971	RESISTOR 11K +-1pct .063W TKF TC=0+-200	CRCW060311K0FKE_ RK73H1JT_1102F 232270461103L MCR03__FX1102	VISHAY KOA YAGEO ROHM
R270	1	0699-2978	RESISTOR 1.1K +-1pct .1W TKF TC=0+-100	CRCW08051K10FKE_ RK73H2AT_1101F 232273461102L MCR10__F1101 MC08051101-FT	VISHAY KOA YAGEO ROHM RCD COMPONENTS
R271	1	0699-3367	RESISTOR 5.62K +-1pct .0625W TKF TC=0+-200	CRCW06035K62FKE_ RK73H1JT_5621F 232270465622L MCR03__FX5621	VISHAY KOA YAGEO ROHM

5060-3337 FET Board Assembly Parts List

Reference Designator	QTY	Agilent P/N	Description	MPN	Manufacturer
R272	1	0699-5219	RESISTOR 9.53K +-1pct .063W TKF TC=0+-200	2322704_9532 MC06039531-FT CRCW06039K53FKE_ RK73H1JT_9531F MCR03__FX9531	YAGEO RCD COMPONENTS VISHAY KOA ROHM
R299	1	0699-3409	RESISTOR 13K +-5pct 1W TKF TC=0+-200	CRCW251213K0JNE_ MCR100__J133 232276260133	VISHAY ROHM YAGEO
RV200	1	0837-3781	VARISTOR TRANSIENT V SRG SUPPR SMT	V22CH8	LITTELFUSE
T100	1	5040-1619	BOBBIN-INSIDE		
T101	1	06033-40005	BOBBIN		
T102	1	5040-1613	BOBBIN-CVR		
T103	2	9170-0815	CORE-POT AL=8000-NH/TT	GP-11-EP-17-LA H5C2-EP17-A8000 B65845-J0000-Y038	HITACHI TDK EPCOS
T104	1	5080-2035	CLAMP-SPRING		
T202	1	9100-4350	INDUCTOR-FIXED CURRENT SENSE INDUCTOR;	57P1688 PE-51688	VITEC ELECTRONIC TECHNITROL
T204	1	06624-80091	XFMR-PULSE		
U201,U202	2	1821-5804	IC INTERFACE DRVR MOS GATED HIGH VOLTAGE	IR2110S	INTERNATIONAL RECTIFIER
U203	1	1826-1601	IC PWR MGT-V-REF-ADJ 2.5/36V 8-SOIC	TL431CD LM431ACM_/NOPB	TEXAS INSTRUMENTS NATIONAL SEMICONDUCTOR
U204	1	1826-1528	IC COMPARATOR LOW-POWER QUAD 14-SOIC	LM339DR LM339DT LM339DR2G LM339M/NOPB	TEXAS INSTRUMENTS STMICROELECTRONICS ON SEMICONDUCTOR NATIONAL SEMICONDUCTOR
VR201	1	1902-1542	DIODE-ZNR 6.2V 5pct TO-236 (SOT-23)	BZX84C6V2 BZX84C6V2LT1G BZX84C6V2	PHILIPS ON SEMICONDUCTOR NXP
	1	5002-2818	Heat Sink FET Board TO247		



**Agilent 6674A
2000W System Power Supply, 60V, 35A**

**5060-3366
AC IN Board Assembly
Component Locator**

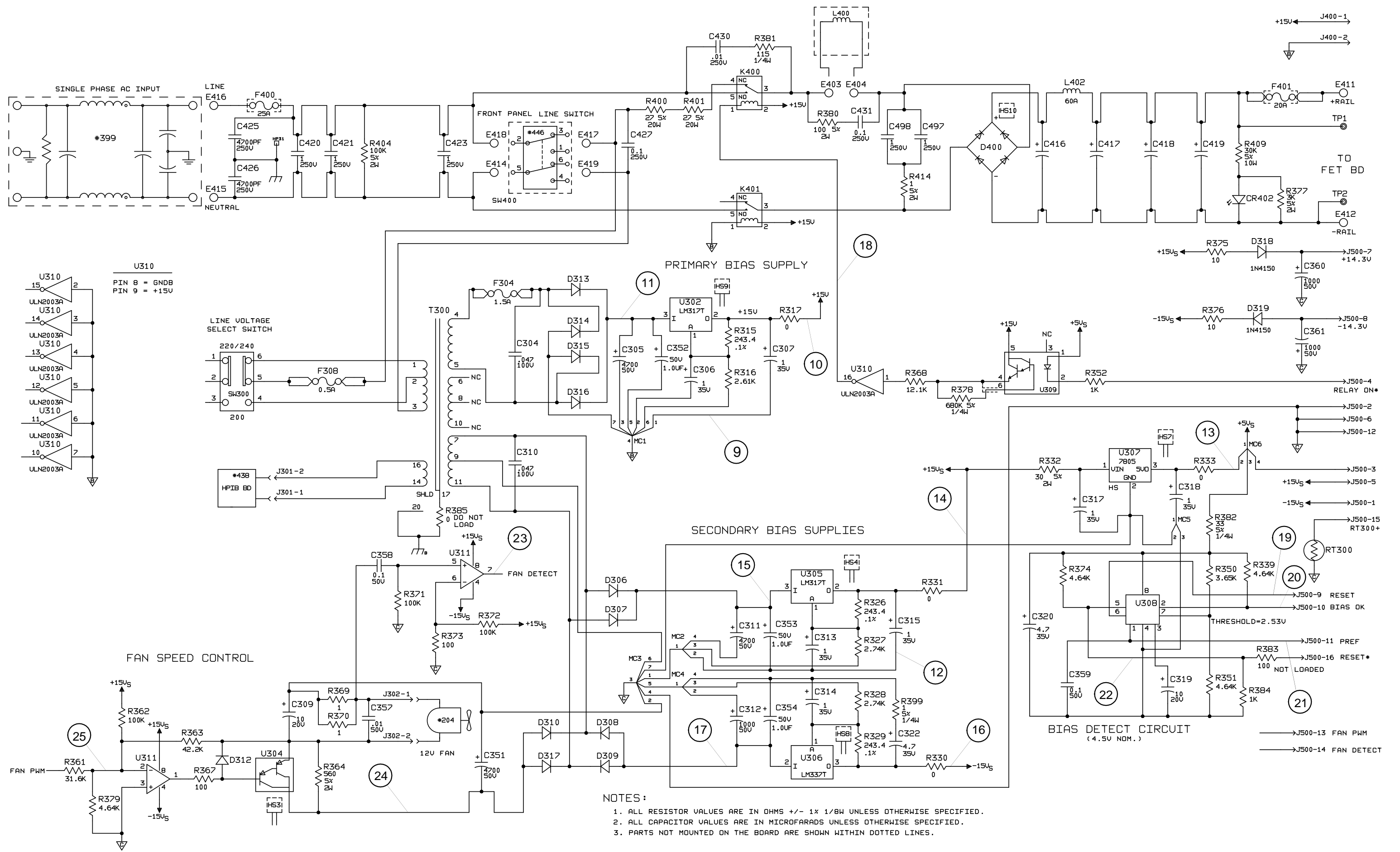


Figure 6-10. A4 AC Input Board Schematic Diagram

5060-3366 AC In Board Assembly Parts List

Reference Designator	QTY	Agilent P/N	Description	MPN	Manufacturer
C304, 310	2	0160-4834	CAP-FXD 0.047uF +-10pct 100 V CER X7R	C430C473K1R5CA DA13X7R2A473K SA301C473KAAH SA301C473KAAH	KEMET ELECTRONICS TDK AVX KYOCERA
C305, 311, 351	3	0180-3458	CAP-FXD 4700uF +30pct -10pct 50 V AL-ELCTLT	50TWP4700 80D472P050JE2	RUBYCON NIPPON CHEMI-CON
C306, 307, 313-315, 317, 318	7	0180-4129	CAP-FXD 1uF +-10pct 35 V TA	TARR105K035 T322B105K035AS	AVX KEMET ELECTRONICS
C309, 319	2	0180-4136	CAP-FXD 10uF +-10pct 20 V TA	TARS106K020 T322C106K020AS	AVX KEMET ELECTRONICS
C312, 360, 361	3	0180-3587	CAP-FXD 1000uF +-20pct 50 V AL-ELCTLT	ELXZ500ELL102ML25S	NIPPON CHEMI-CON
C320, 322	2	0180-4131	CAP-FXD 4.7uF +-10pct 35 V TA	TARS475K035 T322C475K035AS	AVX KEMET ELECTRONICS
C352-354	3	0180-0230	CAP-FXD 1uF +-20pct 50 V TA	T110A105M050AS TAAA1R0M50RX	KEMET ELECTRONICS STC
C357	1	0160-4554	CAP-FXD 0.01uF +-20pct 50 V CER X7R	C410C103M5R5CA DA12X7R1H103M SA105C103MAAH	KEMET ELECTRONICS TDK AVX
C358, 359	2	0160-4835	CAP-FXD 0.1uF +-10pct 50 V CER X7R	C420C104K5R5CA SA105C104KAAH SA105C104KAAH	KEMET ELECTRONICS AVX KYOCERA
C420, 421, 423, 497, 498	5	0160-7606	CAP-FXD 1uF +-20PCT 275 V POLYE-MET	MKP-X2- 1uF/275Vac/20%,13X24X31. 5,Pitch 27.55mm PHE820MF7100MR06L2	WIMA KEMET
C425, 426	2	0160-8153	CAP-FXD 4700pF +-20PCT 250V PPR-POLYE-MET	PME271Y447MR05 MP3-Y2 4700/20/250	EVOX/RIFA WIMA
C427, 431	2	0160-4065	CAP-FXD 0.1uF +-20pct 250 V PPR-MET	PME271M610M PME271M610MR30	INDUSTRIAL ELECTRONIC ENGINEER KEMET

5060-3366 AC In Board Assembly Parts List

Reference Designator	QTY	Agilent P/N	Description	MPN	Manufacturer
C430	1	0160-4355	CAP-FXD 0.01uF +-20pct 250 V PPR-MET	MP3-Y2- 0.01UF/250VAC/20% PME271Y510MR30	WIMA KEMET
CR402	1	1990-0517	LED-LAMP LUM-INT=5.4MCD IF=30MA-MAX	HLMP-3301	AVAGO TECHNOLOGIES
D306-310, 312-317	11	1901-0731	DIODE-PWR RECT 400V 1A	1N4004G 1901-0731 GP10G044	ON SEMICONDUCTOR TEMIC TELEFUNKEN MICROELECTRON VISHAY
D318, 319	2	1901-1098	DIODE-SWITCHING 1N4150 50V 200MA 4NS	1N4150 1N4150	FAIRCHILD SEMICONDUCTOR ROHM
D400	1	1906-0389	DIODE-FW BRDG 600V 35A	GBPC3506	VISHAY
E403, 404, 411, 412	4	1251-5613	CONNECTOR-SGL CONT QDISC-M TAB	62409-1	TYCO ELECTRONICS AMP
E414,417-419	1	5080-2172	CBL-ASSY LINE SW		
F304	1	2110-0304	FUSE (INCH) 1.5A 250V TD FE UL-LST	031301.5 60.015 MDL-1-1/2 SD4-1.5A	LITTELFUSE ELECTREY COOPER INDUSTRIES SAN-O INDUSTRIAL
F308	1	2110-0202	FUSE (INCH) .5A 250V TD FE UL-LST	0313.500 60.005 MDL-1/2 SD4-500MA	LITTELFUSE ELECTREY COOPER INDUSTRIES SAN-O INDUSTRIAL
F400	1	2110-0849	FUSE (INCH) 25A 250V NTD FE UL-LST CSA	0BLN025.T	LITTELFUSE
F401	1	2110-0098	FUSE (INCH) 20A 250V NTD FE	0314020.	LITTELFUSE
J301, 302, 400	3	1252-0055	CONN-POST TYPE .156-PIN-SPCG-MTG-END	26-60-4020	MOLEX
J500	1	1251-8837	CONN-POST TYPE .100-PIN-SPCG-MTG-END	N3408-6302RB 65863-267LF	3M FCI FRAMATOME BERG
K400, 401	2	0490-1746	RELAY 1C 15VDC-COIL 30A 30VDC	AZ2100-1C-15DE T905 (SPECIAL 15V) JTN1S-PA-F-DC15V	AMERICAN ZETTLER SIEMENS MATSUSHITA
L402	1	06012-80095	CHOKE-OUTPUT		
R315, 326, 329	3	0698-8672	RESISTOR 243.4 +-0.1pct .125W TF TC=0+-25	B0207E243R4B CMF-55243R4BT-9	VISHAY BC COMPONENTS VISHAY

5060-3366 AC In Board Assembly Parts List

Reference Designator	QTY	Agilent P/N	Description	MPN	Manufacturer
R316	1	0698-0085	RESISTOR 2.61K +-1pct .25W TF TC=0+-100	5043ED2K610F CMF-552611FT-1 NK4H.25W1%+/- 100PPM2611	VISHAY BC COMPONENTS VISHAY E-SIL COMPONENTS
R317, 330, 331, 333	4	8159-0005	RESISTOR 0 CWM	106 L-2007-1 YZO 1/4 Z-25 Z25C	MICRO-OHM GETTIG ENGRG & MFG TT ELECTRONICS ASJ KOA
R327, 328	2	0757-0281	RESISTOR 2.74K +-1pct .125W TF TC=0+-100	5053HD2K740F CMF-552741FT-1 NK4H.125W1%+/- 100PPM2741	VISHAY BC COMPONENTS VISHAY E-SIL COMPONENTS
R332	1	0764-0041	RESISTOR 30 +-5pct 2W MO TC=0+-200	FP69 30R0 5% GS-3-30R0J	VISHAY TT ELECTRONICS
R339, 351, 374, 379	4	0698-3155	RESISTOR 4.64K +-1pct .125W TF TC=0+-100	5053HD4K640F CMF-554641FT-1 NK4H.125W1%+/- 100PPM4641	VISHAY BC COMPONENTS VISHAY E-SIL COMPONENTS
R350	1	0757-0434	RESISTOR 3.65K +-1pct .125W TF TC=0+-100	5053HD3K650F CMF-553651FT-1 NK4H.125W1%+/- 100PPM3651	VISHAY BC COMPONENTS VISHAY E-SIL COMPONENTS
R352, 384	2	0757-0280	RESISTOR 1K +-1pct .125W TF TC=0+-100	5053HD1K000F CMF-551001FT-1 NK4H.125W1%+/- 100PPM1001	VISHAY BC COMPONENTS VISHAY E-SIL COMPONENTS
R361, 363	2	0698-5090	RESISTOR 43K +-1pct .125W TF TC=0+-100	CMF-554302FT-1 5053HD43K00F NK4H.125W1%+/- 100PPM4302	VISHAY VISHAY BC COMPONENTS E-SIL COMPONENTS
R362	1	0698-3201	RESISTOR 80K +-1pct .125W TF TC=0+-100	CMF-558002FT-1 230618688003 NK4H.125W1%+/- 100PPM8002	VISHAY VISHAY BC COMPONENTS E-SIL COMPONENTS

5060-3366 AC In Board Assembly Parts List

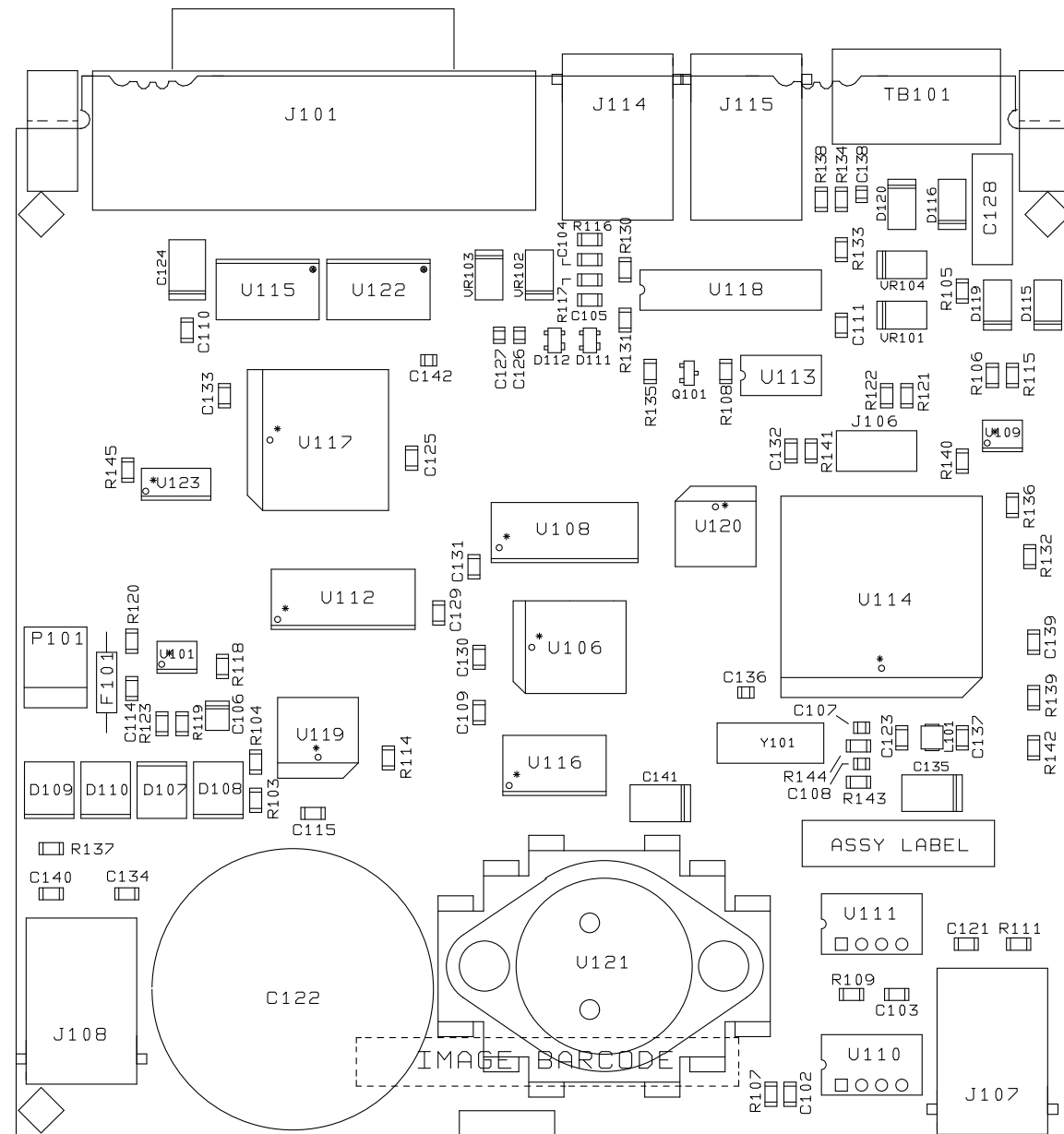
Reference Designator	QTY	Agilent P/N	Description	MPN	Manufacturer
R364	1	0764-0015	RESISTOR 560 +-5pct 2W MO TC=0+-200	FP69 561 5% GS-35600 MO2C__561J	VISHAY TT ELECTRONICS KOA
R367, 373	2	0757-0401	RESISTOR 100 +-1pct .125W TF TC=0+-100	5053HD100R0F CMF-551000FT-1	VISHAY BC COMPONENTS VISHAY
R368	1	0757-0444	RESISTOR 12.1K +-1pct .125W TF TC=0+-100	5053HD12K10F CMF-551212FT-1	VISHAY BC COMPONENTS VISHAY
R369, 370	2	0698-8812	RESISTOR 1 +-1pct .125W TF TC=0+-100	5053HD1R000F CMF-551R0FT-1	VISHAY BC COMPONENTS VISHAY
R371, 372	2	0757-0465	RESISTOR 100K +-1pct .125W TF TC=0+-100	5053HD100K0F CMF-551003FT-1 NK4H.125W1%+/- 100PPM1003	VISHAY BC COMPONENTS VISHAY E-SIL COMPONENTS
R375, 376	2	0757-0346	RESISTOR 10 +-1pct .125W TF TC=0+-100	5053HD10R00F CMF-5510R0FT-1 NK4H.125W1%+/- 100PPM10R0	VISHAY BC COMPONENTS VISHAY E-SIL COMPONENTS
R377	1	0698-3642	RESISTOR 3K +-5pct 2W MO TC=0+-200	FP69 3K0 5% GS-33001	VISHAY TT ELECTRONICS
R378	1	0683-6845	RESISTOR 680K +-5pct .25W CF TC=0-1000	CF 1/4 680K 5%	ASJ
R380	1	0698-3620	RESISTOR 100 +-5pct 2W MO TC=0+-200	FP69 100R 5% GS-31000 MO2C__101J	VISHAY TT ELECTRONICS KOA
R381	1	0698-4150	RESISTOR 115 +-1pct .25W TF TC=0+-100	CMF-601150FT-1 MBB0207C115R0F H4115RFZ	VISHAY VISHAY BC COMPONENTS TYCO INTERNATIONAL
R382	1	0683-3305	RESISTOR 33 +-5pct .25W CF TC=0-400	CF 14 33 5%	ASJ
R399	1	0699-0208	RES-FXD 1 OHM +-5PCT 0.25W CF TC 0+-300	CF1/4-1R0J LCA0207 1 5%	ASJ VISHAY
R400, 401	2	0699-3191	RES 27 OHM 5pct20W	0699-3191 0699-3191	RCD COMPONENTS VISHAY

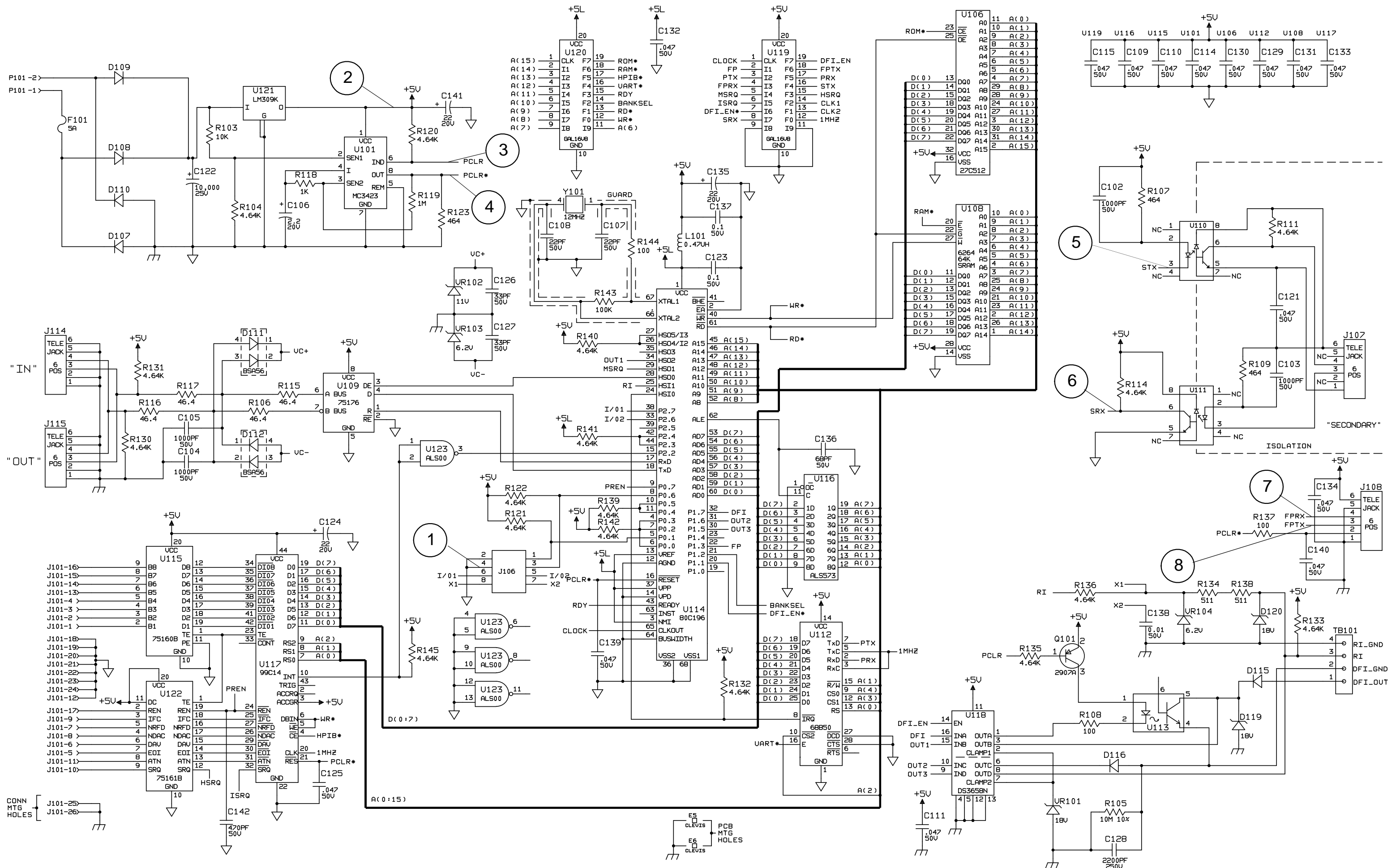
5060-3366 AC In Board Assembly Parts List

Reference Designator	QTY	Agilent P/N	Description	MPN	Manufacturer
R404	1	0764-0028	RESISTOR 100K +-5pct 2W MO TC=0+-200	FP69 100K 5% GS-3-1003J	VISHAY TT ELECTRONICS
R409	1	0811-1918	RESISTOR 30K +-5pct 10W PWI TC=0+-20	RS-1030K05% T10-78	VISHAY TT ELECTRONICS
R414	1	0811-1666	RESISTOR 1 +-5pct 2W PWI TC=0+-800	SPH	TT ELECTRONICS
REF D400	1	1205-0861	HEAT SINK	036991	AAVID THERMALLOY
REF D400 HEATSINK	1	0515-0981	SCREW-MACH M4 X 0.7 25MM-LG PAN-HD ; SCREW	0515-0981 0515-0981 0515-0981	ILLINOIS TOOL WORKS MID-CONTINENT SCREW PROD TEXTRON
REF D400 HEATSINK	1	0380-1704	STANDOFF-RVT-ON 8-MM-LG M4.0 X 0.7-THD ; ST	0380-1704 21055B-B-0470-14 F 218	LYN-TRON MITE LA CLUSIENNE
REF E415, E416	1	5060-3326	ASSY-WIRE KIT		
REF F400	2	2110-0870	FUHLR-CLP-TYP	5960-09	COOPER INDUSTRIES
REF F400	2	0590-1397	THREADED INSERT-NUT M4 X 0.7 2-MM-LG SST ;	0590-1397 KFS2-M4	TR FASTENINGS PENN ENGINEERING & MFG
REF F400 CLIPS	2	2190-0009	WASHER-LK INTL T NO. 8 .168-IN-ID	1333 1908-00 1908 820-BC	FEDERAL SCREW PRODUCTS ILLINOIS TOOL WORKS BARBER & COLEMAN THOMPSON BREMER
REF F400 CLIPS	2	0515-0070	SCREW-MACH M4 X 0.7 6MM-LG PAN-HD ; SCREW	0515-0070 0515-0070 0515-0070 0515-0070	HOUSE OF METRICS ILLINOIS TOOL WORKS MID-CONTINENT SCREW PROD TEXTRON
REF F400 HEATSINKS	1	2190-0586	WASHER-LK HLCL 4.0 4.1-MM-ID 7.6-MM-OD	A2WASPSR0158	HOUSE OF METRICS
REF L402	1	9170-0721	CORE-TUNING	4277484111	FAIR RITE PRODUCTS
REF(2)F304, 308, 401	6	2110-1107	FUHLR-CLP-TYP	1A1907-03	COOPER INDUSTRIES
RT300	1	0837-0397	THERMISTOR CYL CHIP 10K-OHM	135-103LFW-J01	HONEYWELL
SW300	1	3101-2828	SWITCH-SL DPDT STD 5A 250VAC PC	4021.4621	MARQUARDT
T300	1	9100-4908	XFMR-BIAS/HPIB	9100-4908	AGILENT TECHNOLOGIES
U302	1	5060-2942	ASSY-HS 317T		
U302a	1	1205-0282	HEAT SINK PLSTC-PWR-CS	6025D	AAVID THERMALLOY
U302b	1	1826-0393	IC PWR MGT-V-REG-ADJ-POS 1.2/37V 3 PINS	LM317T-NOPB	NATIONAL SEMICONDUCTOR
U302c	1	0361-1641	EYELET-RDL-FLG .121-OD .187-LG .0095-THK	GS 4-6 STEEL-TIN PLATE	STIMPSON EDWIN B
U304	1	5060-3324	ASSY-HEATSINK		

5060-3366 AC In Board Assembly Parts List

Reference Designator	QTY	Agilent P/N	Description	MPN	Manufacturer
U304a	1	1205-0402	HEAT SINK SGL TO-220-CS	1A059 1205-0402 60130-020PB 637-20-ABP	BOSSARD AAVID THERMALLOY WAKEFIELD ENGINEERING
U304b	1	1853-0490	TRANSISTOR PNP DARL TO-220AB PD=2W	TIP107G	ON SEMICONDUCTOR
U304c	1	0361-1641	EYELET-RLD-FLG .121-OD .187-LG .0095-THK	GS 4-6 STEEL-TIN PLATE	STIMPSON EDWIN B
U305	1	5060-3325	ASSY-HEATSINK		
U305a	1	0361-1641	EYELET-RLD-FLG .121-OD .187-LG .0095-THK	GS 4-6 STEEL-TIN PLATE	STIMPSON EDWIN B
U305b	1	1826-0393	IC PWR MGT-V-REG-ADJ-POS 1.2/37V 3 PINS	LM317T-NOPB	NATIONAL SEMICONDUCTOR
U305c	1	1205-0402	HEAT SINK SGL TO-220-CS	1A059 1205-0402 60130-020PB 637-20-ABP	BOSSARD AAVID THERMALLOY WAKEFIELD ENGINEERING
U306	1	5060-2943	ASSY-HS 337T		
U306a	1	0361-1641	EYELET-RLD-FLG .121-OD .187-LG .0095-THK	GS 4-6 STEEL-TIN PLATE	STIMPSON EDWIN B
U306b	1	1826-0527	IC PWR MGT-V-REG-ADJ-NEG 1.2/37V 3 PINS	LM337T-NOPB	NATIONAL SEMICONDUCTOR
U306c	1	1205-0282	HEAT SINK PLSTC-PWR-CS	6025D	AAVID THERMALLOY
U307	1	5060-2948	ASSY 7805/340T-5		
U307a	1	1826-0122	IC PWR MGT-V-REG-FXD-POS 4.8/5.2V TO-220	LM340T-5 MC7805CTG	NATIONAL SEMICONDUCTOR ON SEMICONDUCTOR
U307b	1	1205-0282	HEAT SINK PLSTC-PWR-CS	6025D	AAVID THERMALLOY
U307c	1	0361-1641	EYELET-RLD-FLG .121-OD .187-LG .0095-THK	GS 4-6 STEEL-TIN PLATE	STIMPSON EDWIN B
U308	1	1826-2341	IC PWR MGT-V-REG-SWG 8 PINS DIP-P PKG	TL7702BCP	TEXAS INSTRUMENTS
U309	1	1990-1074	S1C-LTB	4N35-M	FAIRCHILD SEMICONDUCTOR
U310	1	1858-0047	TRANSISTOR ARRAY 16-PIN PLSTC DIP	ULN2003AN	TEXAS INSTRUMENTS
U311	1	1826-0346	IC OP AMP GP DUAL 8 PIN DIP-P	LM358NNOPB	NATIONAL SEMICONDUCTOR





GPIB Board Schematic Diagram (sheet 2 of 2)

5060-3399 GPIB Board Assembly Parts List

Reference Designator	QTY	Agilent P/N	Description	MPN	Manufacturer
C128	1	0160-4281	CAP-FXD 2200pF +-20PCT 250 V PPR-MET	MP3Y2- 2200F/250VAC/20%,4X8.5 X13.5, Pitch10mm PME271Y422MR30	WIMA EVOX/RIFA
VR103, VR104	2	1902-1609	DIODE-ZNR 6.2V 5pct PD=1.5W IR=5UA	1SMB5920BT3G	ON SEMICONDUCTOR
C123, C137	2	0160-6497	CAP-FXD 0.1uF +-10pct 50 V CER X7R	12065C104KAT A 2238 581 15649 C1206C104K5RAC C3216X7R1H104KT GRM319R71H104KA01D VJ1206Y104KXAMT	AVX YAGEO KEMET ELECTRONICS TDK MURATA MANUFACTURING VISHAY
C102, C103, C104, C105	4	0160-6100	CAP-FXD 1000pF +-5pct 50 V CER C0G	12065A102JAT A C1206C102J5GAC C3216CH1H102J GRM3195C1H102JD01D	AVX KEMET ELECTRONICS TDK MURATA MANUFACTURING
MEC1	1	0340-0884	INSULATOR-XSTR THRM-CNDCT	60-11-4511-1674	PARKER HANNIFIN
D111, D112	2	1906-0337	DIODE-DUAL 60V 200MA TO-253	BAS56 BAS56	PHILIPS NXP
J107, J108, J114, J115	4	1251-7330	MODULAR PHONE RCPT RIGHT ANGLE PC MOUNT	5520250-3 95009-2661	TYCO ELECTRONICS AMP MOLEX
R106, R115, R116, R117	4	0699-1360	RESISTOR 46.4 +-1pct .125W TKF TC=0+-100	CRCW120646R4FKE_ RK73H2BT_46R4F MCR18__F46R4 232272464649	VISHAY KOA ROHM YAGEO
L101	1	9140-1101	INDUCTOR 470nH +-5pct 2.8W-mmX3.4LG-mm	NLV32T-R47J-PF KL32T__R47J	TDK KOA
C124, C135, C141	3	0180-4116	CAP-FXD 22uF +-20PCT 20V TA	ESVD1D226M 293D226X0020D__E3 TAJD226M020R	NEC TOKIN VISHAY AVX
MEC2, MEC3	2	0515-1232	SCREW-MACH M3.5 X 0.6 8MM-LG PAN-HD ; SCREW-MACHINE ; M3.5 X 0.60; 8 MM LONG	0515-1232 0515-1232 0515-1232 0515-1232	ILLINOIS TOOL WORKS MID-CONTINENT SCREW PROD PSM INTERNATIONAL TEXTRON

5060-3399 GPIB Board Assembly Parts List

Reference Designator	QTY	Agilent P/N	Description	MPN	Manufacturer
C109, C110, C114, C115, C121, C125, C129, C130, C131, C132, C133, C134, C139, C140	14	0160-6734	CAP-FXD 0.047uF +-10pct 50 V CER X7R	12065C473KAT A C1206C473K5RAC C3216X7R1H473K GRM319R71H473KD01L	AVX KEMET ELECTRONICS TDK MURATA MANUFACTURING
U116	1	1820-4264	IC LCH TTL/ALS TRANSPARENT OCTL	DM74ALS573BWMX SN74ALS573CDW	FAIRCHILD SEMICONDUCTOR TEXAS INSTRUMENTS
MEC4	1	1205-0758	HEAT SINK SGL TO-3-CS	575803B00700	AAVID THERMALLOY
F101	1	2110-0699	FUSE-SUBMINIATURE 5A 125V NTD AX UL-LST	0251005 L	LITTELFUSE
Y101	1	0410-4055	CRYSTAL-QUARTZ 12.000 MHZ	MA-506 12.00MC-F FPXLF120 DMX3812.00MHZ-18 DMX3812.00MHZ-18	EPSON TOYOCOM FOX ELECTRONICS DAISHINKU AMERICA DAISHINKU
U115	1	1820-6176	IC INTERFACE XCVR BIPOLAR BUS OCTL	SN75ALS160DW	TEXAS INSTRUMENTS
R105	1	0699-2682	RESISTOR 10M +-10pct .125W TKF TC=0+-500	23227116X1106 CRCW120610M0JNE_ MCR18__K106	YAGEO VISHAY ROHM
U106	1	5080-2552	PRGMD-ROM 1818-5681		
U106a		1818-5681	IC 512K-BIT OTP 120-NS CMOS	M27C512-10C6	STMICROELECTRONICS
C126, C127	2	0160-5959	CAP-FXD 33pF +-5pct 50 V CER C0G	08055A330JAT A C0805C330J5GAC C2012COG1H330J GRM2165C1H330JD01D	AVX KEMET ELECTRONICS TDK MURATA MANUFACTURING
R119	1	0699-1327	RESISTOR 1M +-1pct .125W TKF TC=0+-100	CRCW12061M00FKE_ RK73H2BT_1004F MCR18__F1004 232272461005L	VISHAY KOA ROHM YAGEO
U114	1	1821-1479	IC 16-BIT MCU 16-MHZ CMOS 68-PLCC	C	INTEL
R108, R137, R144	3	0699-1415	RESISTOR 100 +-1pct .125W TKF TC=0+-100	CRCW1206100RFKE_ RK73H2BT_1000F MCR18__F1000 232272461001L	VISHAY KOA ROHM YAGEO
R103	1	0699-1391	RESISTOR 10K +-1pct .125W TKF TC=0+-100	CRCW120610K0FKE_ RK73H2BT_1002F MCR18__F1002 232272461003L	VISHAY KOA ROHM YAGEO
U118	1	1820-4185	IC INTERFACE DRVR BIPOLAR LINE HIGH	DS3658N-NOPB	NATIONAL SEMICONDUCTOR

5060-3399 GPIB Board Assembly Parts List

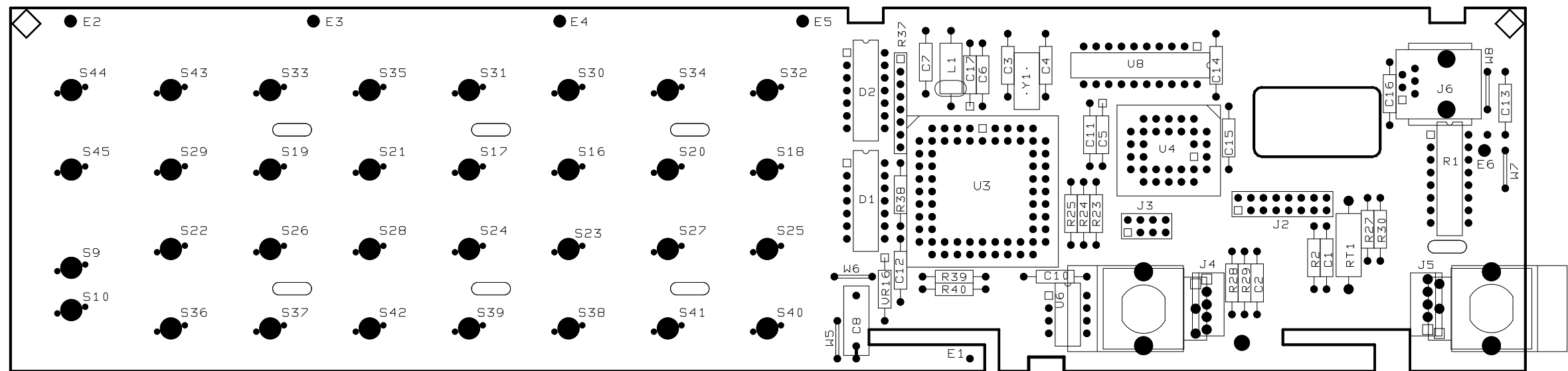
Reference Designator	QTY	Agilent P/N	Description	MPN	Manufacturer
C138	1	0160-5945	CAP-FXD 0.01uF +-10pct 50 V CER X7R	08055C103KAT A 223858016627 C0805C103K5RAC C2012X7R1H103K GRM216R71H103KA01J VJ0805Y103KXAMT	AVX YAGEO KEMET ELECTRONICS TDK MURATA MANUFACTURING VISHAY
U122	1	1820-6814	IC INTERFACE XCVR BIPOLAR INSTRUMENT BUS	SN75ALS161DW	TEXAS INSTRUMENTS
C107, C108	2	0160-5961	CAP-FXD 22pF +-5pct 50 V CER C0G	08055A220JAT A C0805C220J5GAC C2012COG1H220J GRM2165C1H220JD01D VJ0805A220JXAMT	AVX KEMET ELECTRONICS TDK MURATA MANUFACTURING VISHAY
R143	1	0699-1330	RESISTOR 100K +-1pct .125W TKF TC=0+-100	CRCW1206100KFKE_ RK73H2BT_1003F MCR18__F1003 232272461004L	VISHAY KOA ROHM YAGEO
R104, R111, R114, R120, R121, R122, R130, R131, R132, R133, R135, R136, R139, R140, R141, R142, R145	17	0699-1384	RESISTOR 4.64K +-1pct .125W TKF TC=0+-100	CRCW12064K64FKE_ RK73H2BT_4641F MCR18__F4641 232272464642L	VISHAY KOA ROHM YAGEO
U121	1	1820-0430	IC PWR MGT-V-REG-FXD-POS 4.8/5.2V	LM309K STEEL-NOPB	NATIONAL SEMICONDUCTOR
W101	1	1258-0209	JUMPER-REMOVABLE 2 POSITION; .250 IN	68786-202LF 382811-6	FCI FRAMATOME BERG TYCO ELECTRONICS AMP
U101	1	1826-2801	IC PWR MGT-OV-V-SEN 8 PINS P-SOIC PKG	MC3423D__G	ON SEMICONDUCTOR
	0.0	5080-2518	IC-GPIB,CHIP NJD		
C136	1	0160-5955	CAP-FXD 68pF +-5pct 50 V CER C0G	08055A680JATRA C0805C680J5GAC C2012COG1H680J GRM2165C1H680JD65L	AVX KEMET ELECTRONICS TDK MURATA MANUFACTURING
P101	1	1251-4245	CONN-HDR VERT 2-PIN 3.96MM 1-ROW	640388-2 3160-8-202-22W	TYCO ELECTRONICS AMP METHODE ELECTRONICS
D115, D116	2	1901-1332	DIODE-PWR-S 40V 1A D0-214AA	SK14 SS24 STPS140U MBRS140T3G	MICROSEMI VISHAY STMICROELECTRONICS ON SEMICONDUCTOR
U110, U111	2	1990-0444	OPTO-ISOLATOR LED-PDIO/XSTR IF=25MA-MAX	6N136-000E	AVAGO TECHNOLOGIES

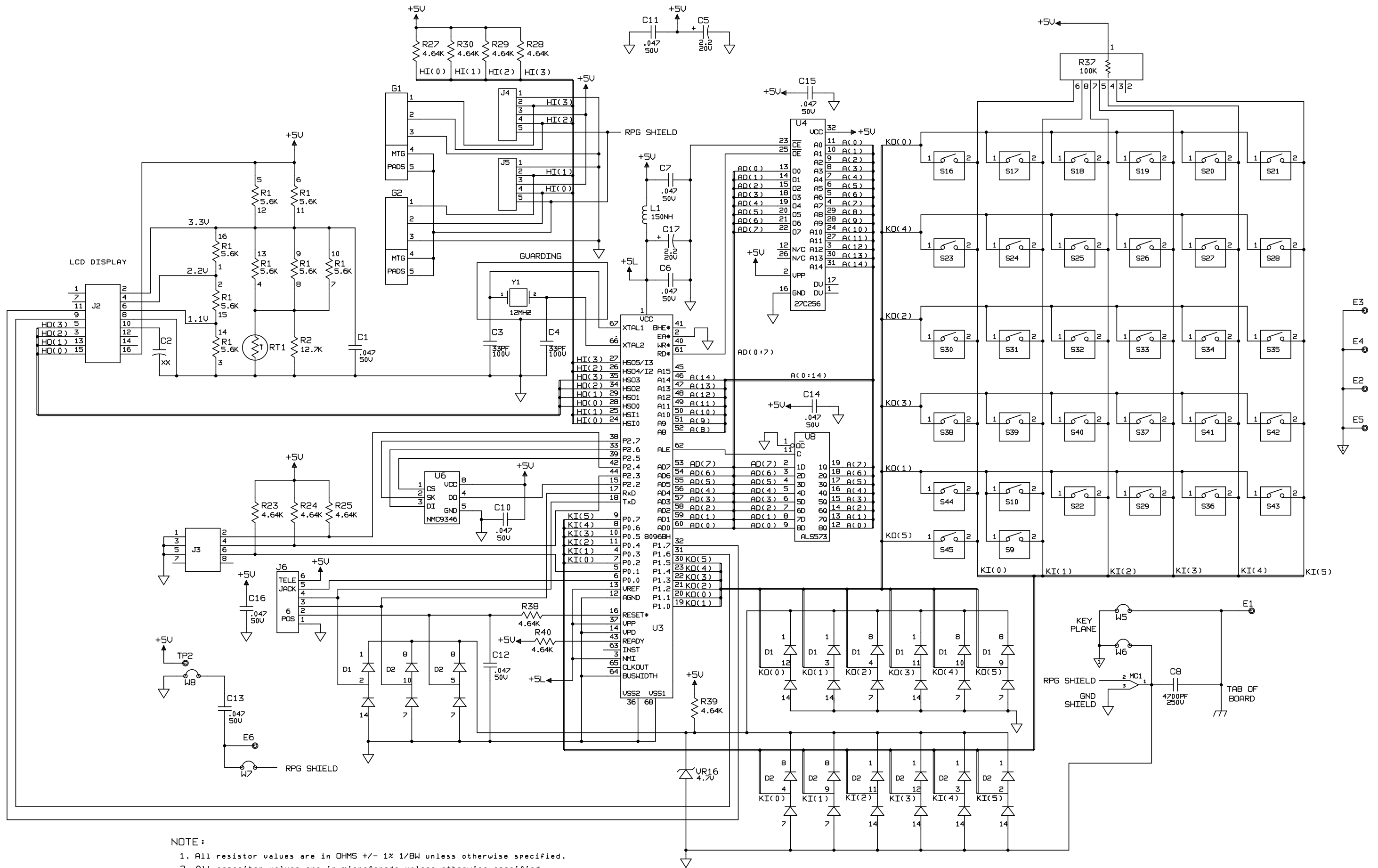
5060-3399 GPIB Board Assembly Parts List

Reference Designator	QTY	Agilent P/N	Description	MPN	Manufacturer
J101	1	1252-2161	CONN-RECT MICRORBN 24-CKT 24-CONT	5554923-2	TYCO ELECTRONICS AMP
C122	1	0180-4606	CAP-FXD +-20pct 25 V AL-ELCTLT	82D103M025KB2B	NIPPON CHEMI-CON
U113	1	1990-1074	S1C-LTB	4N35-M	FAIRCHILD SEMICONDUCTOR
D119, D120, VR101	3	1902-1634	DIODE-ZNR 18V 5pct PD=1.5W IR=5UA	1SMB5931BT3G SMZJ3795B	ON SEMICONDUCTOR VISHAY
U123	1	1820-4291	IC GATE TTL/ALS NAND QUAD 2-INP	DM74ALS00AMX SN74ALS00AD	FAIRCHILD SEMICONDUCTOR TEXAS INSTRUMENTS
R107, R109, R123	3	0699-1431	RESISTOR 464 +-1pct .125W TKF TC=0+-100	CRCW1206464RFKE_ RK73H2BT_4640F MCR18__F4640 232272464641	VISHAY KOA ROHM YAGEO
R118	1	0699-1318	RESISTOR-FXD 1K OHM +-1PCT .25W TKF TC 0+-	RK73H2BT_1001F 232272461002L CRCW12061K00FKE_ MCR18__F1001	KOA YAGEO VISHAY ROHM
R134, R138	2	0699-1432	RESISTOR 511 +-1pct .125W TKF TC=0+-100	CRCW1206511RFKE_ RK73H2BT_5110F MCR18__F5110 232272465111L	VISHAY KOA ROHM YAGEO
U112	1	1820-7680	IC ASYNCHRO COMMUNICATIONS INTFC ADAPTER		
J106	1	1251-4926	CONN-HDR VERT 8-PIN 2.54MM 2-ROW	67996-108HLF HTSW-104-07-SM-D	FCI FRAMATOME BERG SAMTEC
D107, D108, D109, D110	4	1901-1375	DIODE-PWR RECT 400V 3A 75NS	MURS340T3G	ON SEMICONDUCTOR
VR102	1	1902-1802	DIODE-ZNR 11V PD=1.5W IR=1UA	1SMB5926B G	ON SEMICONDUCTOR
C106	1	0180-3975	CAP-FXD 2.2uF +-20PCT 20V TA	TAJB225M020 293D225X0020B2E3 49MC225B020M0AS ESVB21D225M T491B225M020AS	AVX VISHAY VISHAY BC COMPONENTS NEC ELECTRONICS KEMET ELECTRONICS
U120		5080-2550	PRGMD-GAL,GPIB		
U117	1	1822-0639	IC GPIB CONTROLLER	14063-501	AMIS SEMICONDUCTOR

5060-3399 GPIB Board Assembly Parts List

Reference Designator	QTY	Agilent P/N	Description	MPN	Manufacturer
C142	1	0160-5950	CAP-FXD 470pF +-5pct 50 V CER C0G	08055A471JAT A C0805C471J5GAC C2012COG1H471J GRM2165C1H471JA01D VJ0805A471JXAMT	AVX KEMET ELECTRONICS TDK MURATA MANUFACTURING VISHAY
TB101	1	0360-2312	TERMINAL BLOCK 4-TERM .039 IN SQUARE	ELFH04110 MSTBA 2.5/4-G- BLK(176064) 871904	PCD PHOENIX CONTACT & CO AXSYS TECHNOLOGIES
U119		5080-2274	PRGM-GAL, GPIB		
U108	1	1818-4698	IC 64K-BIT SRAM 15-NS CMOS	CY7C185-15VI	CYPRESS SEMICONDUCTOR





NOTE :

1. All resistor values are in OHMS +/- 1% 1/BW unless otherwise specified.
2. All capacitor values are in microfarads unless otherwise specified.

5063-3407 Front Panel Board Assembly Parts List

Reference Designator	QTY	Agilent P/N	Description	MPN	Manufacturer
C001, 6, 7, 10-12, 14-16	9	0160-5422	CAP-FXD 0.047uF +-20pct 50 V CER X7R	C420C473M5R5CA DA13X7R1H473M SA205C473MAAH	KEMET ELECTRONICS TDK AVX
C002	1	0160-4808	CAP-FXD 470pF +-5pct 100 V CER C0G	C410C471J1G5CA SA101A471JAAH SA101A471JAAH	KEMET ELECTRONICS AVX KYOCERA
C004	1	0160-4787	CAP-FXD 22pF +-5pct 100 V CER C0G	C410C220J1G5CA SA101A220JAA SA101A220JAA	KEMET ELECTRONICS AVX KYOCERA
C005, 17	2	0180-0155	CAP-FXD 2.2uF +-20pct 20 V TA	T110A225M020AS TAAA2R2M20RX	KEMET ELECTRONICS STC
C008	1	0160-4835	CAP-FXD 0.1uF +-10pct 50 V CER X7R	C420C104K5R5CA SA105C104KAAH SA105C104KAAH	KEMET ELECTRONICS AVX KYOCERA
J002	1	1251-4927	CONN-HDR VERT 16-PIN 2.54 MM 2 ROW	67997-116HLF	FCI FRAMATOME BERG
J003	1	1251-4926	CONN-HDR VERT 8-PIN 2.54MM 2-ROW	67996-108HLF HTSW-104-07-SM-D	FCI FRAMATOME BERG SAMTEC
J003	1	1258-0209	JUMPER-REMOVABLE 2 POSITION; .250 IN	68786-202LF 382811-6	FCI FRAMATOME BERG TYCO ELECTRONICS AMP
J006, PRESS FLAT TO BRD	1	1251-8184	MODULAR PHONE RCPT PERPENDICULAR MOUN	5520258-3	TYCO ELECTRONICS AMP
L001	1	9140-0158	INDUCTOR RF-CH-MLD 1uH +-10pct	1025-20 10M101K IM-2 1UH 10%	AMERICAN PRECISION INDUSTRIES GOWANDA ELECTRONICS VISHAY
R001	1	1810-0560	NET-RES 8 5.6K OHM 16-PIN	4116R-0B0-562 MDP1603-5601F	BOURNS VISHAY
R002	1	0698-3359	RESISTOR 12.7K +-1pct .125W TF TC=0+-100	5053HD12K70F CMF-551272FT-1 NK4H.125W1%+/- 100PPM1272	VISHAY BC COMPONENTS VISHAY E-SIL COMPONENTS

5063-3407 Front Panel Board Assembly Parts List

Reference Designator	QTY	Agilent P/N	Description	MPN	Manufacturer
R023-25, 27-30, 39, 40	9	0698-3155	RESISTOR 4.64K +-1pct .125W TF TC=0+-100	5053HD4K640F CMF-554641FT-1 NK4H.125W1%+/- 100PPM4641	VISHAY BC COMPONENTS VISHAY E-SIL COMPONENTS
R037, POLARITY	1	1810-0371	NET-RES 7 100.0K OHM 8-PIN	750-81 MSP08A01-104G 4308R-94Y-104LF	TT ELECTRONICS VISHAY BOURNS
R038	1	0698-3441	RESISTOR 215 +-1pct .125W TF TC=0+-100	5053HD215R0F CMF-552150FT-1 NK4H.125W1%+/- 100PPM215R0	VISHAY BC COMPONENTS VISHAY E-SIL COMPONENTS
REF U003, POLARITY	1	1200-1274	SOCKET-IC-PLCC 68-CONT SQUARE DIP-SLDR	1-822473-6 PLCC68PT2	TYCO ELECTRONICS AMP FCI FRAMATOME BERG
REF U004, POLARITY	1	1200-1417	SOCKET-IC-PLCC 32-CONT RECT DIP-SLDR	1-822473-3	TYCO ELECTRONICS AMP
RT001	1	0837-0412	THERMISTOR TUB WITH AXL LEADS 10K-OHM	MSB103K	RTI ELECTRONICS
U003	1	1821-1479	IC 16-BIT MCU 16-MHZ CMOS 68-PLCC	C	INTEL
U004	1	5080-2466	PRGMD ROM, FP 1818-4424		
U004a		1818-4424	IC 256K-BIT OTP EPROM 70-NS CMOS	M27C256B-70C6	STMICROELECTRONICS
U006	1	1818-4792	IC 2K-BIT EEPROM 500-NS CMOS 8-P-DIP		
U008	1	1820-2724	IC LCH TTL/ALS TRANSPARENT OCTL	DM74ALS573BN SN74ALS573CN	FAIRCHILD SEMICONDUCTOR TEXAS INSTRUMENTS
VR016	1	1902-0950	DIODE-ZNR 4.7V 5pct DO-35 PD=.4W TC=+.025pct	SZ30035-8RL 1N5230B	TAK CHEONG ELECTRONICS MICRO COMMERCIAL COMPONENTS
W005	1	0811-3590	RESISTOR 0 CWM	UN1058	VESTAL ELECTRONIC DEVICES
Y001	1	0410-2159	CRYSTAL-QUARTZ 10.0 MHZ HC49/S-HLDR	FOX5/100MS	FOX ELECTRONICS
	2	0960-0912	ENCODER-ROTARY	EC16B2410408 REB1619X7PVB25FHIN A1224E	ALPS ELECTRIC TEIKOKU TSUSHIN KOGYO
REF Y001	1	0340-1277	INSULATOR-CAP PLASTIC		

Manual Part Number: 5989-6875EN
Printed in U.S.A. May 2007
Copyright © 2007 Agilent Technologies, Inc. All Rights Reserved.

